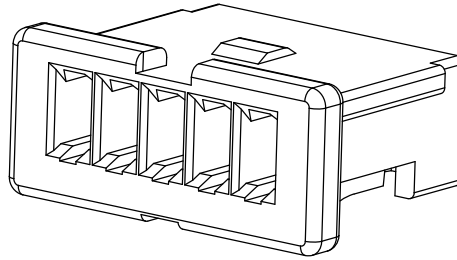
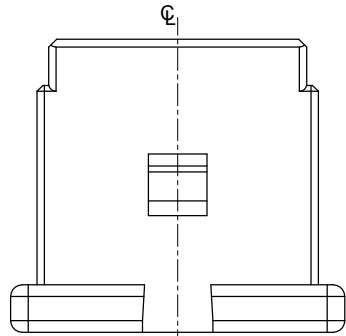


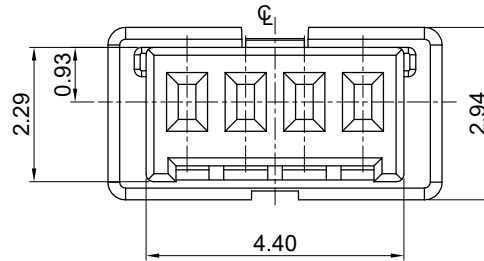
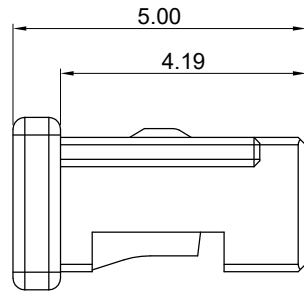
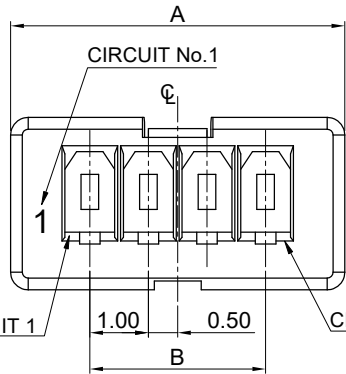
RoHS

This products can apply to the SWB Doc NO. QA-3-04-005 of Environmental&Material Management Rules



■ Specifications :

- Voltage rating: 100V AC / DC
- Current rating: 1A Max. AC / DC
- Withstanding voltage: 300V AC/minute
- Temperature range: -40°C~+105°C
- Insulation resistance: ≥100MΩ
- Contact resistance: ≤20mΩ
- After environmental testing: ≤40mΩ
- Mates With SWB Terminal: 1004T



1004 H - XX A - N0 HF NC
 ① ② ③ ④ ⑤ ⑥ ⑦

- ① Series No.
- ② Category: H-Housing
- ③ Row No.-Pin No: XX-02-15Pin
- ④ Special code: A-Inner Lock
- ⑤ Plastic material: N0- PA66 UL94V-0
- ⑥ HF-Halogen Free
- ⑦ Color: NC-Natural

Poles	Dimensions (mm)		
	A	B	C
2	3.70	1.00	2.40
3	4.70	2.00	3.40
4	5.70	3.00	4.40
5	6.70	4.00	5.40



DATE	REV	ECN NO	DESCRIPTION	MODIFY	APPROVAL	PROJECT	APPROVAL	CHECK	DRAWN	DATE	PART NO. 1004H-XXA-N0HFNC					
						GENERAL TOLERANCE					TITLE 1.00mm Crimp Style Connectors					
						.X ±0.35					UNIT	SCALE	SHEET	REV	NUMBER	
						.XX ±0.25					mm	8:1	1/2	A0	A-082	
						.XXX ±0.15										
						X.° ±2°										



东莞市思索连接器有限公司
 SWB CONNECTORS CO.,LTD

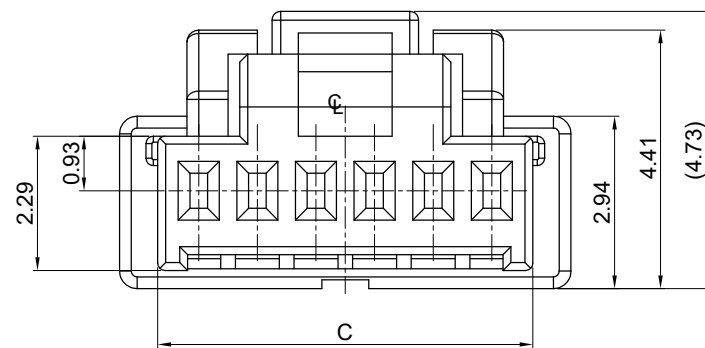
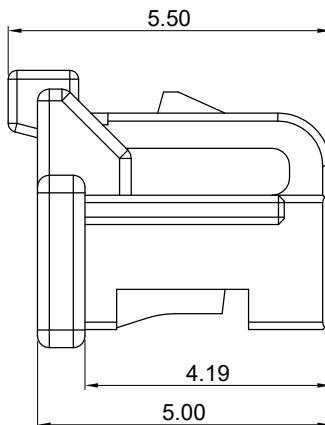
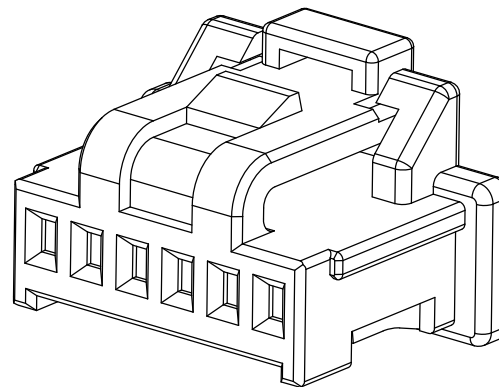
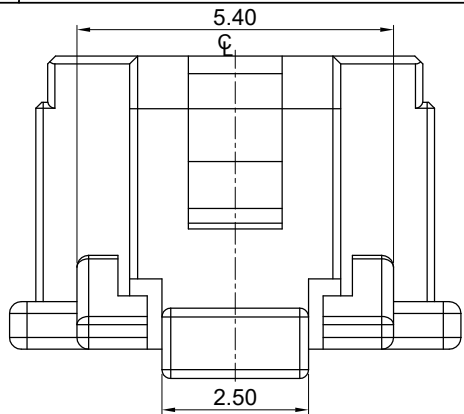
PART NO. 1004H-XXA-N0HFNC

TITLE 1.00mm Crimp Style Connectors

UNIT	SCALE	SHEET	REV	NUMBER
mm	8:1	1/2	A0	A-082

RoHS

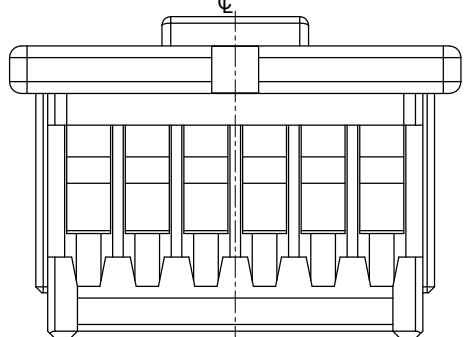
This products can apply to the SWB Doc NO. QA-3-04-005 of Environmental&Material Management Rules



CIRCUIT No.1

CIRCUIT 1

CIRCUIT N



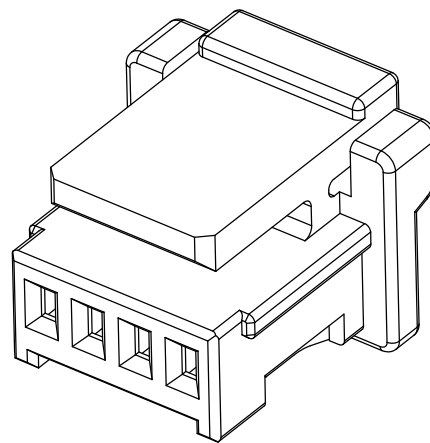
Poles	Dimensions (mm)			Poles	Dimensions (mm)		
	A	B	C		A	B	C
6	7.70	5.00	6.40	11	12.70	10.00	11.40
7	8.70	6.00	7.40	12	13.70	11.00	12.40
8	9.70	7.00	8.40	13	14.70	12.00	13.40
9	10.70	8.00	9.40	14	15.70	13.00	14.40
10	11.70	9.00	10.40	15	16.70	14.00	15.40

DATE	REV	ECN NO	DESCRIPTION	MODIFY	APPROVAL	PROJECT	APPROVAL	CHECK	DRAWN	DATE	PART NO. 1004H-XXA-N0HFNC									
						GENERAL TOLERANCE					TITLE 1.00mm Crimp Style Connectors									
						.X ±0.35					UNIT	SCALE	SHEET	REV	NUMBER	11				
						.XX ±0.25					mm	8:1	2/2	A0	A-082	12				
						.XXX ±0.15														
						X.° ±2°														
						PROJECT														
						ROBING														
						ROBING														
						BIN														
						2021/04/02														

1 2 3 4 5 6 7 8

RoHS

This products can apply to the SWB Doc NO. QA-3-04-005 of Environmental&Material Management Rules

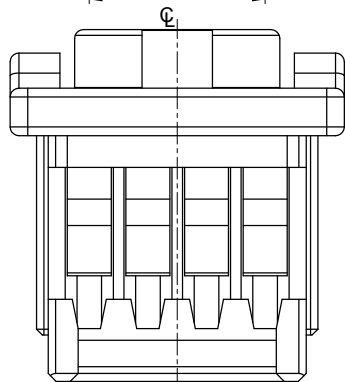
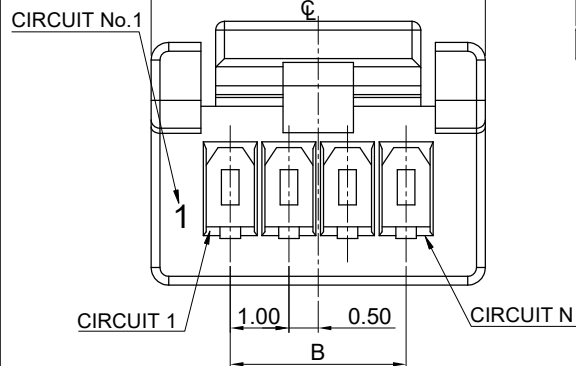
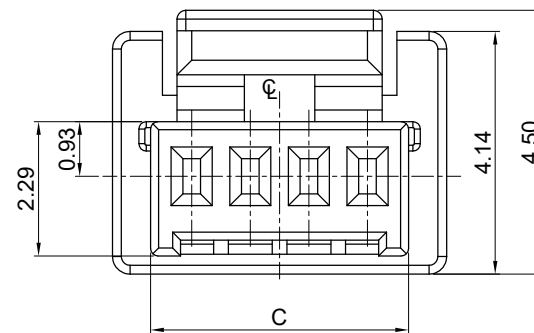
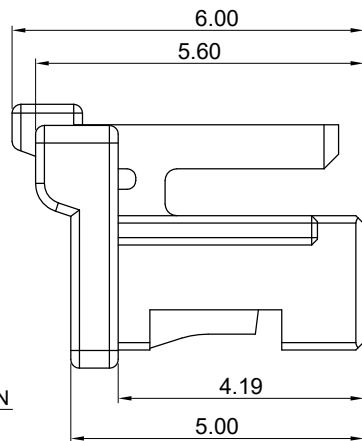
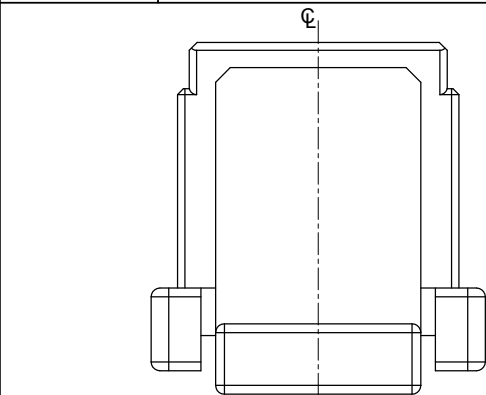


■ Specifications :

- Voltage rating: 100V AC / DC
- Current rating: 1A Max. AC / DC
- Withstanding voltage: 300V AC/minute
- Temperature range: -40°C~+105°C
- Insulation resistance: ≥100MΩ
- Contact resistance: ≤20mΩ
- After environmental testing: ≤40mΩ
- Mates With SWB Terminal: 1004T

1004 H - XX B - N0 HF NC
 ① ② ③ ④ ⑤ ⑥ ⑦

- ① Series No.
- ② Category: H-Housing
- ③ Row No.-Pin No: XX-02-15Pin
- ④ Special code: B-Outter Lock
- ⑤ Plastic material: N0- PA66 UL94V-0
- ⑥ HF-Halogen Free
- ⑦ Color: NC-Natural



Poles	Dimensions (mm)		
	A	B	C
3	4.70	2.00	3.40
4	5.70	3.00	4.40
5	6.70	4.00	5.40



DATE	REV	ECN NO	DESCRIPTION	MODIFY	APPROVAL	PROJECT	APPROVAL	CHECK	DRAWN	DATE	PART NO. 1004H-XXB-N0HFNC				
						GENERAL TOLERANCE	东莞市思索连接器有限公司 SWB CONNECTORS CO.,LTD APPROVED 研发中心				TITLE 1.00mm Crimp Style Connectors				
					.X ±0.35	UNIT SCALE SHEET REV NUMBER									
					.XX ±0.25						mm 8:1 1/1 A A-000				
					.XXX ±0.15										
					X° ±2°										

RoHS

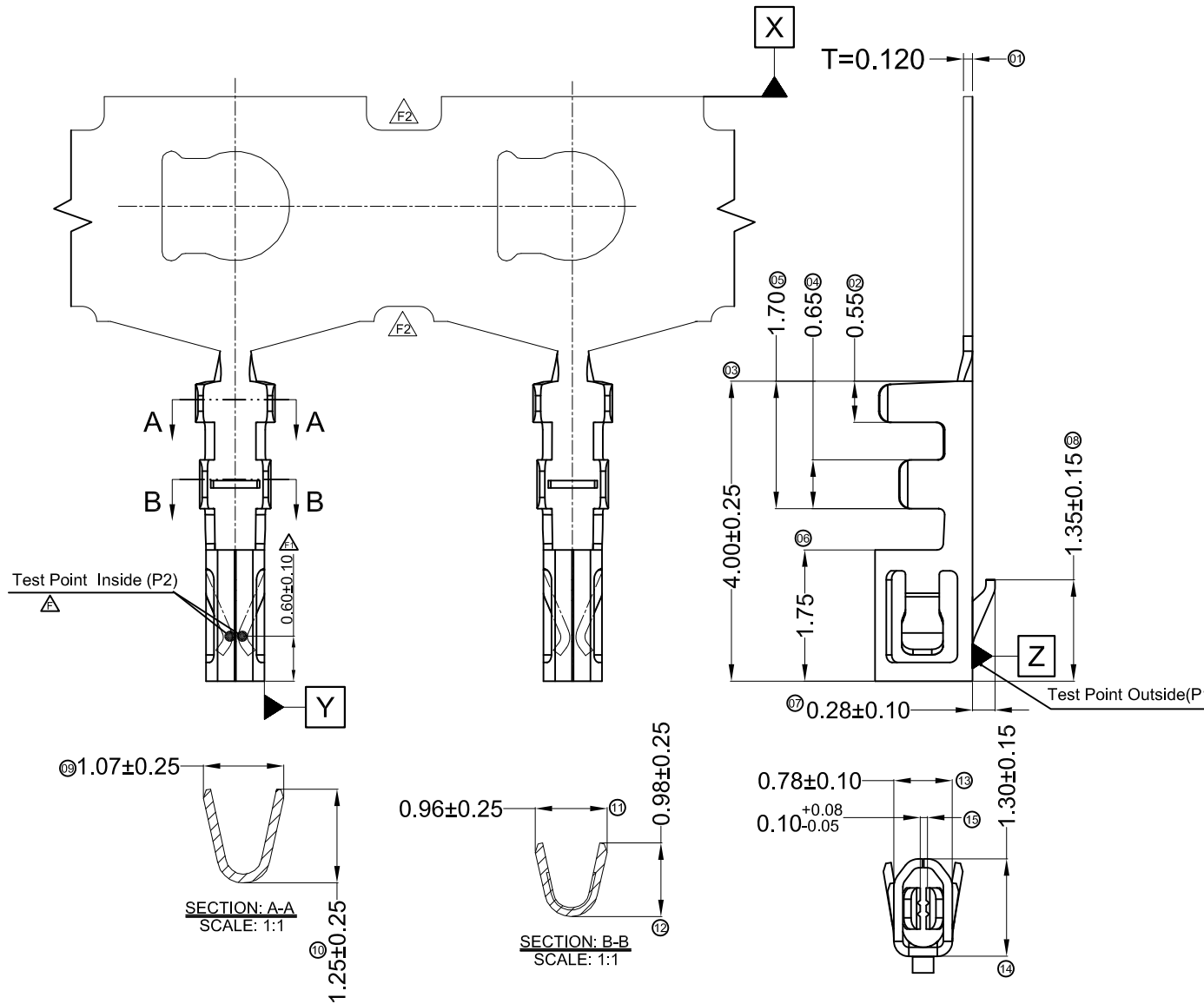
This products can apply to the SWB Doc NO. QA-3-04-005 of Environmental&Material Management Rules

Specifications :

- Voltage rating: 50V AC / DC
- Current rating: 1A AC / DC
- Withstanding voltage: 250V AC/minute
- Temperature range: -40°C~+105°C $\triangle F_4$
- Insulation resistance: $\geq 100M\Omega$
- Contact resistance: $\leq 20m\Omega$
- After environmental testing: $\leq 40m\Omega$
- Wire Range: AWG#28~32
- Insulation O.D: 0.80mm(Max)
- Mates With SWB Housing : 1004H

1004 T X-P XXX X-X
① ② ③ ④ ⑤ ⑥ ⑦

- ① Series Number
- ② Category: T-terminal
- ③ Shape: Blank-ordinary
- ④ Material: P-Phosphor bronze
- ⑤ Plating code:
SN-Bright Tin Plating 100u" Min.; Nickel 50u" Min
 $\triangle F_3$ SW-Matte Tin Plating 100u" Min.; Nickel 50u" Min
V01-Contact Area Gold flash. Other Area: Gold flash Ni: 50u" Min.
V05-Contact Area Gold flash. Other Area: Gold flash Ni: 50u" Min.
V04-Contact Area Gold 4u" Min. Other Area: Gold flash Ni: 50u" Min.
V15-Contact Area Gold 15u" Min. Other Area Gold flash. Ni: 50u" Min.
V30-Contact Area Gold 30u" Min. Other Area Gold flash. Ni: 50u" Min.
- ⑥ Plating method:
Blank-Stamping before plating B-Plating before stamping
- ⑦ Special No.: C-Two ran two plating (Test Point: P2)
Blank-One ran one plating (Test Point: P1)



22-08-11	F4	/	The temperature change	Wangcheng	Larry Yang	GENERAL TOLERANCE
22-07-27	F3	/	Added matte tin specifications	Alan	Larry Yang	.X ± 0.30
22-02-10	F2	ER20220210002	Modify the drawing according to the object	Wang	Larry Yang	.XX ± 0.20
DATE	REV	ECN No.	DESCRIPTION	MODIFY	APPROVAL	.XXX ± 0.10
						X° $\pm 2^\circ$
						PROJECT

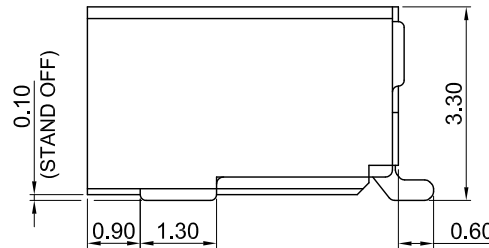
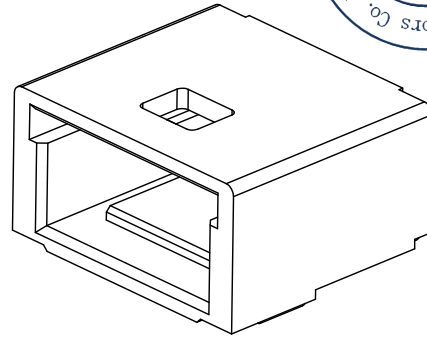
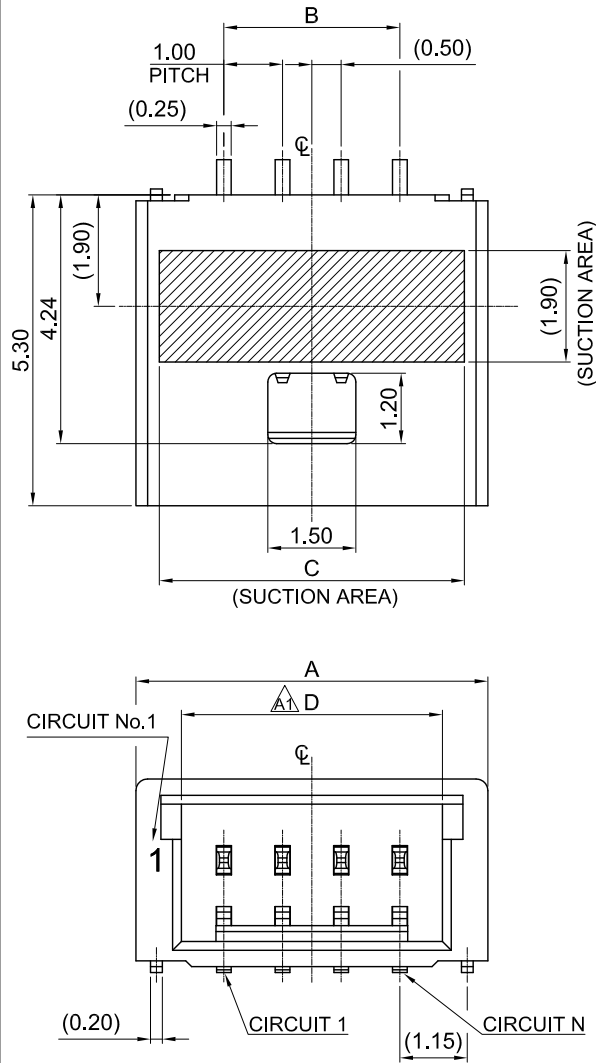


APPROVAL	CHECK	DRAWN	DATE
		Wuxiaotao	2016/04/29

PART NO. 1004T-PXXXX-X				
TITLE 1.00mm Crimp Style Connectors				
UNIT	SCALE	SHEET	REV	NUMBER
mm	1:1	1/1	F4	A-000

RoHS

This products can apply to the SWB Doc NO. QA-3-04-005 of Environmental&Material Management Rules



Poles	Dimensions (mm)			
	A	B	C	D
2	4.00	1.00	3.20	2.45
3	5.00	2.00	4.20	3.45
4	6.00	3.00	5.20	4.45
5	7.00	4.00	6.20	5.45

Specifications :

- Voltage rating: 100V AC / DC
- Current rating: 1A Max. AC / DC
- Withstanding voltage: 300V AC/minute
- Temperature range: -40°C~+105°C
- Insulation resistance: ≥100MΩ
- Contact resistance: ≤20mΩ
- After environmental testing: ≤40mΩ
- Material(Pin): Phosphor bronze
- Mates With SWB Housing: 1004H

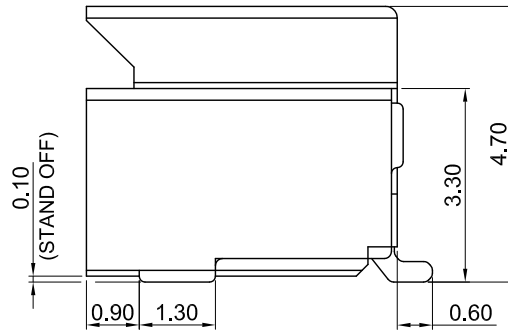
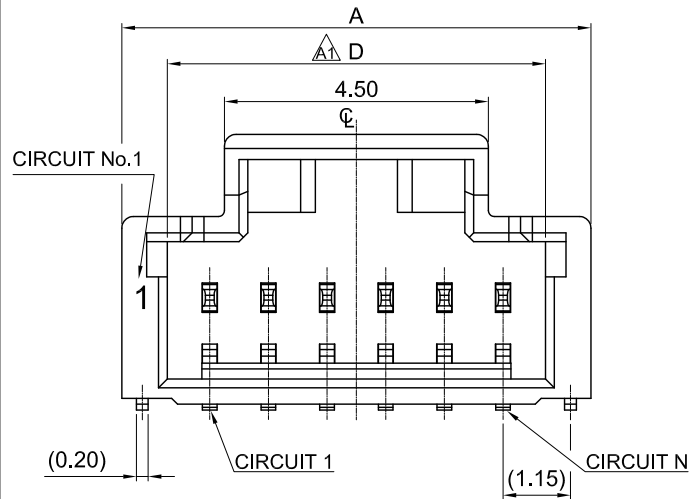
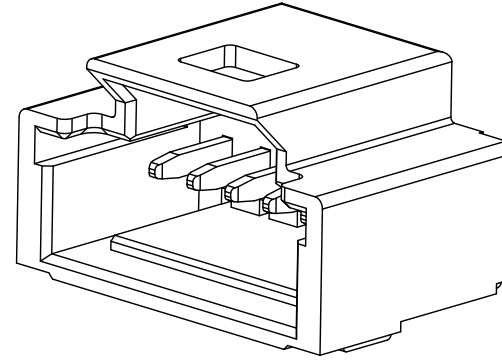
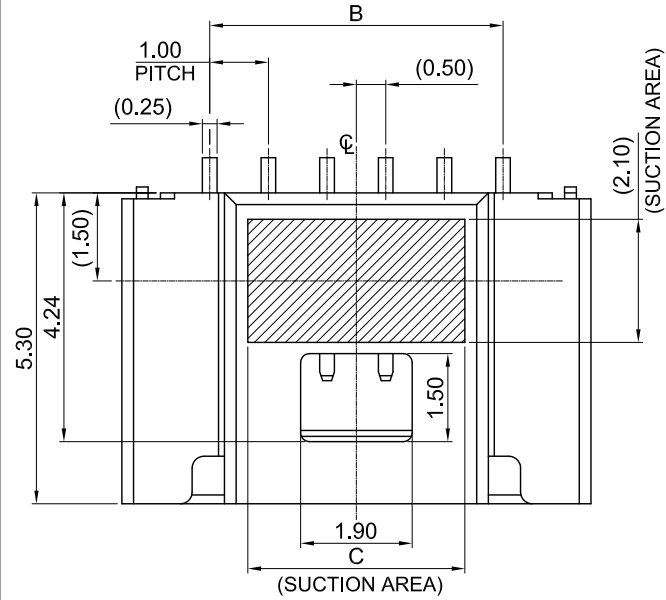
1004 W R S - XX A HF - 4T XXX E R
 ① ② ③ ④ ⑤ ⑥ ⑦ ⑧ ⑨ ⑩ ⑪

- ① Series No.
- ② Category: W-wafer
- ③ Connector Type: R-Right Angle 90°
- ④ Mounting Type: S-SMT
- ⑤ Row No.-Pin No: XX-02-15Pin
- ⑥ Special code: A-Inner Lock
- ⑦ HF-Halogen Free
- ⑧ Plastic material: 4T- PA4T UL94V-0
- ⑨ Plating Code:
 SW1-Matte Tin plating 100u" Min. overall,
 Ni50u" Min. under plating.
 V01-G/F plating overall, Ni50u" Min. under plating.
 V04-Au4u" Min.plating on contact area,
 G/F plating on solder area,
 Ni50u" Min. under plating.
 V15-Au15u" Min.plating on contact area,
 G/F plating on solder area,
 Ni50u" Min. under plating.
 V30-Au30u" Min.plating on contact area,
 G/F plating on solder area,
 Ni50u" Min. under plating.
- ⑩ Color: E-Becky color
- ⑪ Packing: R-Reel

					GENERAL TOLERANCE				东莞市思索连接器有限公司 SWB CONNECTORS CO.,LTD				PART NO.				
					.X ±0.35								1004WRS-XXAHF-4TXXXER				
					.XX ±0.25				APPROVAL				TITLE				
					.XXX ±0.15				CHECK				1.00mm Crimp Style Connectors				
					X° ±2°				DRAWN				DATE				
2022.04.22					A1				ROBING				2021/04/02				
DATE					REV				ROBING				UNIT				
ECN NO					DESCRIPTION				BIN				SCALE				
MODIFY					APPROVAL				DATE				SHEET				
													REV				
													NUMBER				
													mm				
													8:1				
													1/3				
													A1				
													A-082				

RoHS

This products can apply to the SWB Doc NO. QA-3-04-005 of Environmental&Material Management Rules

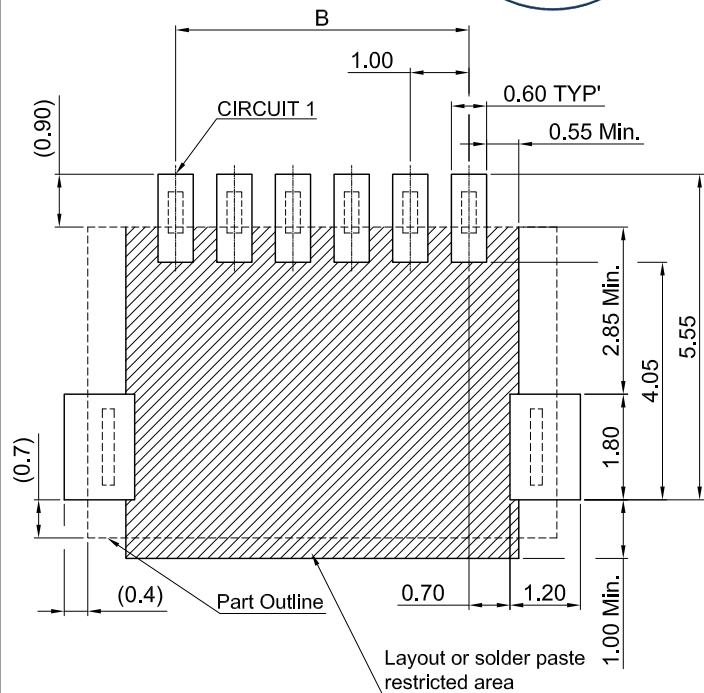


Poles	Dimensions (mm)			
	A	B	C	D
6	8.00	5.00	3.70	6.45
7	9.00	6.00	3.70	7.45
8	10.00	7.00	3.70	8.45
9	11.00	8.00	3.70	9.45
10	12.00	9.00	3.70	10.45
11	13.00	10.00	3.70	11.45
12	14.00	11.00	3.70	12.45
13	15.00	12.00	3.70	13.45
14	16.00	13.00	3.70	14.45
15	17.00	14.00	3.70	15.45

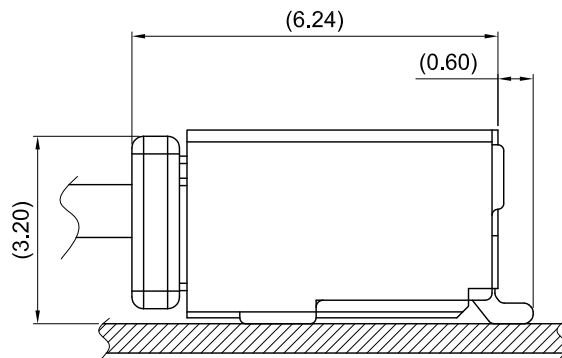
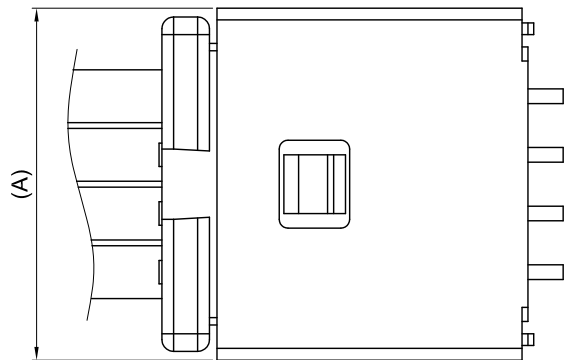
					GENERAL TOLERANCE .X ±0.35 .XX ±0.25 .XXX ±0.15 X.° ±2°				东莞市思索连接器有限公司 SWB CONNECTORS CO.,LTD				PART NO. 1004WRS-XXAHF-4TXXXER								
					APPROVAL ROBING				CHECK ROBING				DRAWN BIN				DATE 2021/04/02				
					PROJECT 									TITLE 1.00mm Crimp Style Connectors							
2022.04.22	A1	/	Add dimensions	Wangcheng	Larry Yang						UNIT mm										
DATE	REV	ECN NO	DESCRIPTION	MODIFY	APPROVAL						SCALE 8:1										
									SHEET 2/3				REV A1								
									NUMBER A-082												

RoHS

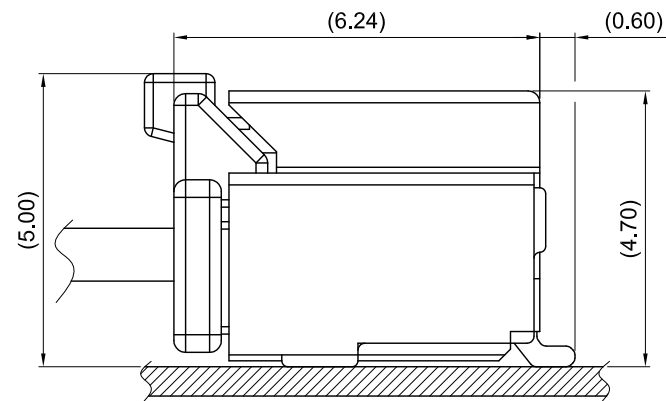
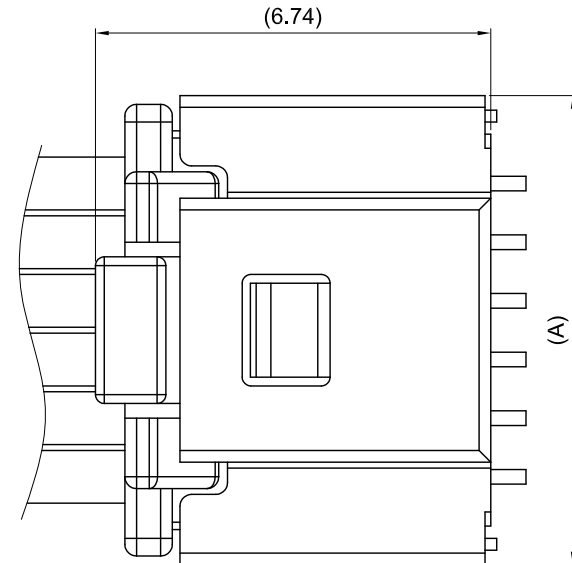
This products can apply to the SWB Doc NO. QA-3-04-005 of Environmental&Material Management Rules



Recommended PCB Layout (General Tolerance:±0.05)



2-5 Poles



6-15 Poles

					<p>GENERAL TOLERANCE</p> <p>.X ±0.35</p> <p>.XX ±0.25</p> <p>.XXX ±0.15</p> <p>X.° ±2°</p>				<p>东莞市思索连接器有限公司</p> <p>SWB CONNECTORS CO.,LTD</p>				<p>PART NO.</p> <p>1004WRS-XXAHF-4TXXXER</p>								
					<p>APPROVAL</p> <p>ROBING</p>				<p>CHECK</p> <p>ROBING</p>				<p>DRAWN</p> <p>BIN</p>				<p>DATE</p> <p>2021/04/02</p>				
					<p>PROJECT</p> <p>ROBING</p>				<p>ROBING</p>				<p>BIN</p>				<p>2021/04/02</p>				
													<p>TITLE</p> <p>1.00mm Crimp Style Connectors</p>								
													<p>UNIT</p> <p>mm</p>								
													<p>SCALE</p> <p>8:1</p>								
													<p>SHEET</p> <p>3/3</p>								
													<p>REV</p> <p>A1</p>								
													<p>NUMBER</p> <p>A-082</p>								

2022.04.22	A1	/	Add dimensions	Wangcheng	Larry Yang
DATE	REV	ECN NO	DESCRIPTION	MODIFY	APPROVAL

RoHS

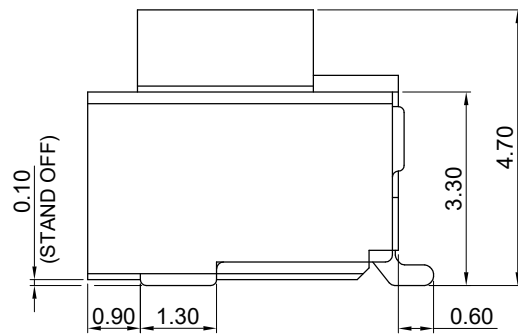
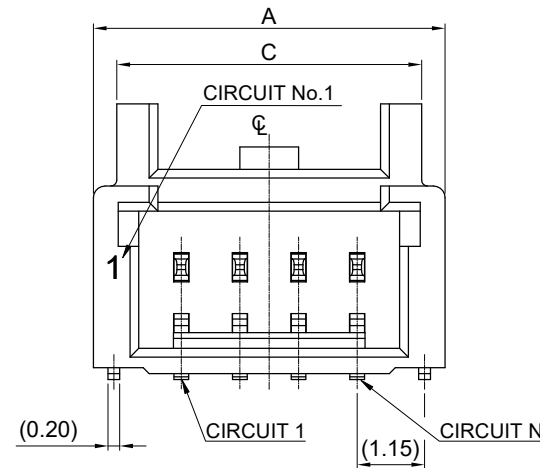
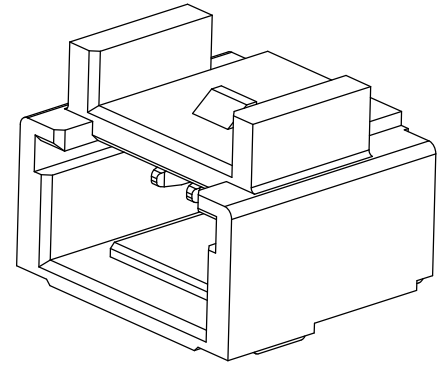
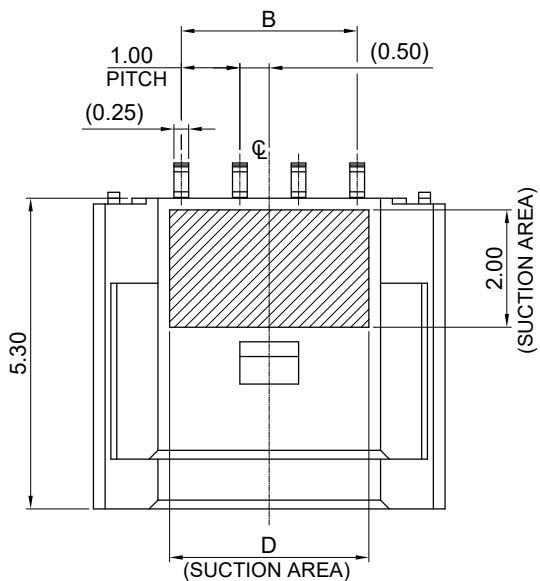
This products can apply to the SWB Doc NO. QA-3-04-005 of Environmental&Material Management Rules

■ Specifications :

- Voltage rating: 100V AC / DC
- Current rating: 1A Max. AC / DC
- Withstanding voltage: 300V AC/minute
- Temperature range: -40°C~+105°C
- Insulation resistance: ≥100MΩ
- Contact resistance: ≤20mΩ
- After environmental testing: ≤40mΩ
- Material(Pin): Phosphor bronze
- Mates With SWB Housing: 1004H

1004 W R S - XX B HF - 4T XXX E R
 ① ② ③ ④ ⑤ ⑥ ⑦ ⑧ ⑨ ⑩ ⑪

- ① Series No.
- ② Category: W-wafer
- ③ Connector Type: R-Right Angle 90°
- ④ Mounting Type: S-SMT
- ⑤ Row No.-Pin No: XX-02-15Pin
- ⑥ Special code: B-Outer Lock
- ⑦ HF-Halogen Free
- ⑧ Plastic material: 4T- PA4T UL94V-0
- ⑨ Plating Code:
 SW1-Matte Tin plating 100u" Min. overall,
 Ni50u" Min. under plating.
 V01-G/F plating overall, Ni50u" Min. under plating.
 V15-Au15u" Min.plating on contact area,
 G/F plating on solder area,
 Ni50u" Min. under plating.
 V30-Au30u" Min.plating on contact area,
 G/F plating on solder area,
 Ni50u" Min. under plating.
- ⑩ Color: E-Becky color
- ⑪ Packing: R-Reel



Poles	Dimensions (mm)			
	A	B	C	D
3	5.00	2.00	4.20	2.40
4	6.00	3.00	5.20	3.40
5	7.00	4.00	5.20	3.40

GENERAL TOLERANCE	
.X	±0.35
.XX	±0.25
.XXX	±0.15
X.°	±2°
PROJECT	

东莞市思索连接器有限公司
 SWB CONNECTORS CO.,LTD

PART NO.
 1004WRS-XXBHF-4TXXXER

TITLE
 1.00mm Crimp Style Connectors

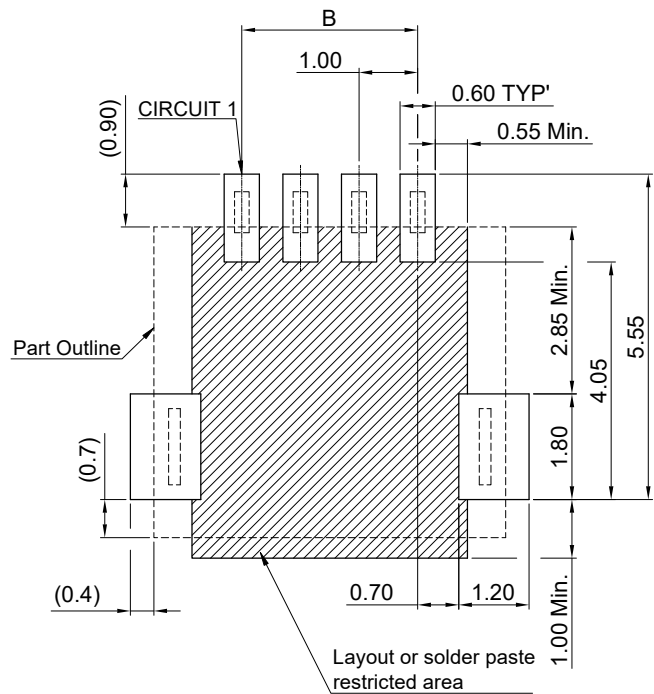
APPROVAL	CHECK	DRAWN	DATE
ROBING	ROBING	BIN	2021/04/02

UNIT	SCALE	SHEET	REV	NUMBER
mm	8:1	1/2	A0	A-082

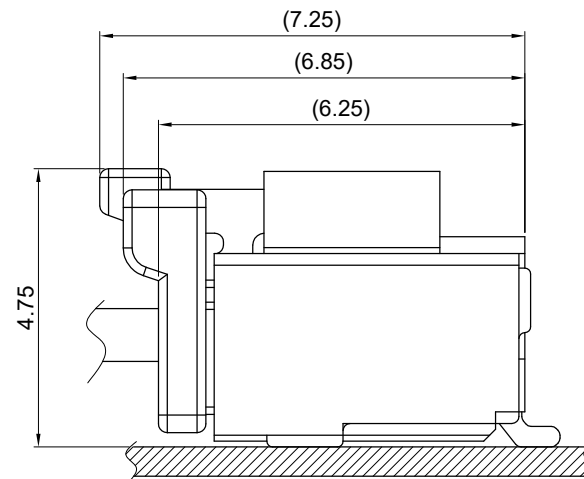
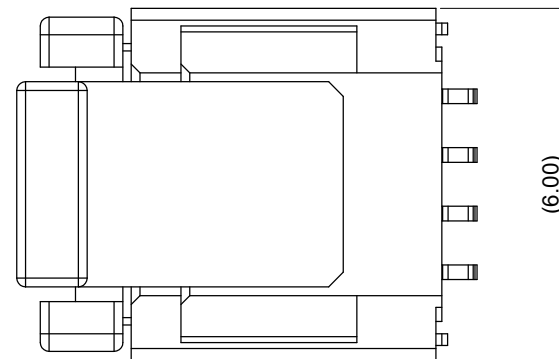
DATE	REV	ECN NO	DESCRIPTION	MODIFY	APPROVAL


RoHS

This products can apply to the SWB Doc NO. QA-3-04-005 of Environmental&Material Management Rules



Recommended PCB Layout (General Tolerance:±0.05)



GENERAL TOLERANCE					 东莞市思索连接器有限公司 SWB CONNECTORS CO.,LTD	PART NO.								
.X	±0.35	.XX	±0.25	.XXX		±0.15	X°	±2°	1004WRS-XXBHF-4TXXXER					
PROJECT					APPROVAL	CHECK	DRAWN	DATE	TITLE					
DATE	REV	ECN NO	DESCRIPTION	MODIFY	APPROVAL	ROBING	ROBING	BIN	2021/04/02	1.00mm Crimp Style Connectors				
					UNIT	SCALE	SHEET	REV	NUMBER					
										mm	8:1	2/2	A0	A-082

RoHS

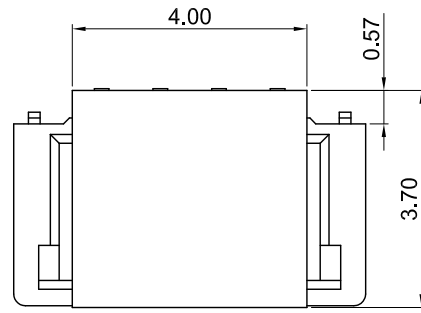
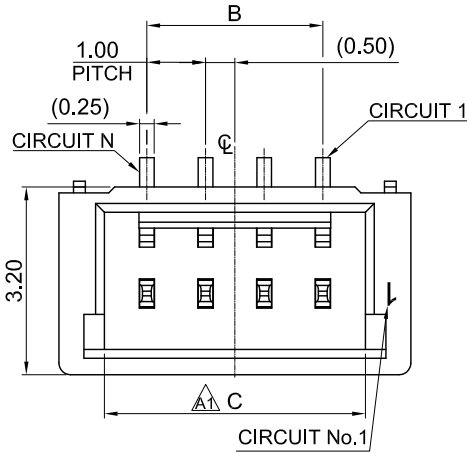
This products can apply to the SWB Doc NO. QA-3-04-005 of Environmental&Material Management Rules

Specifications :

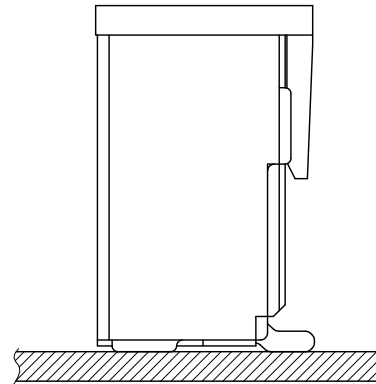
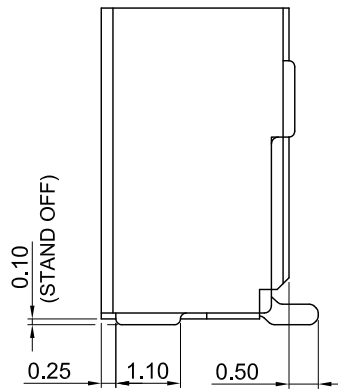
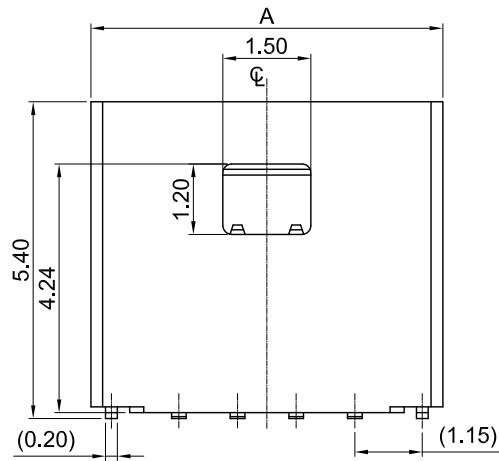
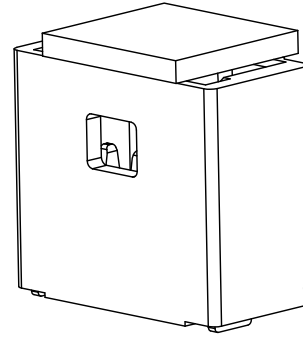
- Voltage rating: 100V AC / DC
- Current rating: 1A Max. AC / DC
- Withstanding voltage: 300V AC/minute
- Temperature range: -40°C~+105°C
- Insulation resistance: ≥100MΩ
- Contact resistance: ≤20mΩ
- After environmental testing: ≤40mΩ
- Material(Pin): Phosphor bronze
- Mates With SWB Housing: 1004H

1004 W V S - XX A HF - 4T XXX E X
 ① ② ③ ④ ⑤ ⑥ ⑦ ⑧ ⑨ ⑩ ⑪

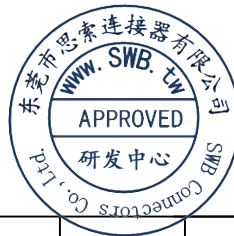
- ① Series No.
- ② Category: W-wafer
- ③ Connector Type: V- 180°
- ④ Mounting Type: S-SMT
- ⑤ Row No.-Pin No: XX-02-15Pin
- ⑥ Special code: A-Inner Lock
- ⑦ HF-Halogen Free
- ⑧ Plastic material: 4T- PA4T UL94V-0
- ⑨ Plating Code:
 SW1-Matte Tin plating 100u" Min. overall, Ni50u" Min. under plating.
 V01-G/F plating overall, Ni50u" Min. under plating.
 V04-Au4u" Min.plating on contact area, G/F plating on solder area, Ni50u" Min. under plating.
 V15-Au15u" Min.plating on contact area, G/F plating on solder area, Ni50u" Min. under plating.
 V30-Au30u" Min.plating on contact area, G/F plating on solder area, Ni50u" Min. under plating.
- ⑩ Color: E-Becky color
- ⑪ Packing: C-Carrier tape (with CAP)
 R-Carrier tape/ESD (without CAP)
 C1-Carrier tape/ESD (with CAP)



PICK AND PLACE AREA WITH CAP



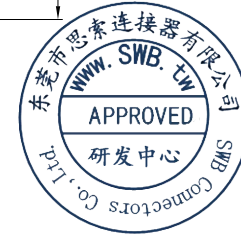
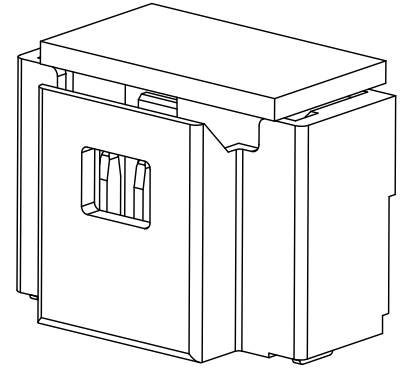
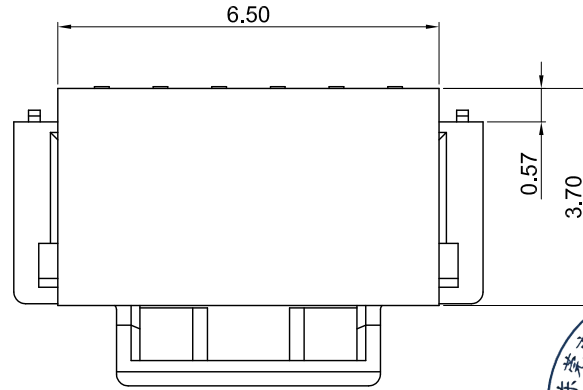
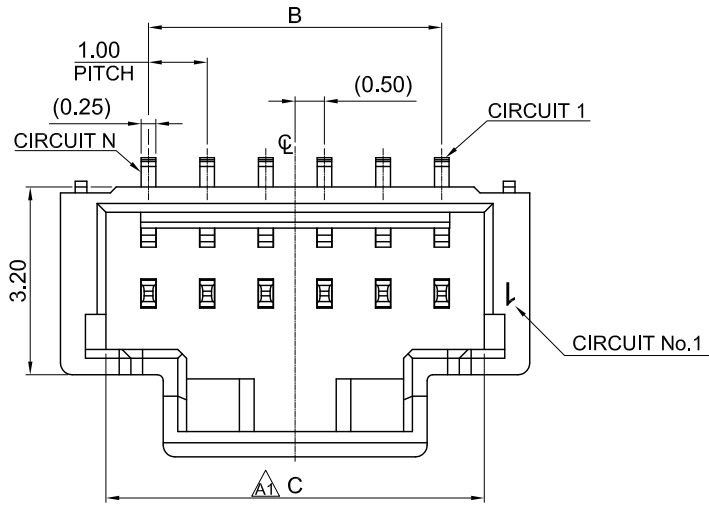
Poles	Dimensions (mm)		
	A	B	C
2	4.00	1.00	2.45
3	5.00	2.00	3.45
4	6.00	3.00	4.45
5	7.00	4.00	5.45



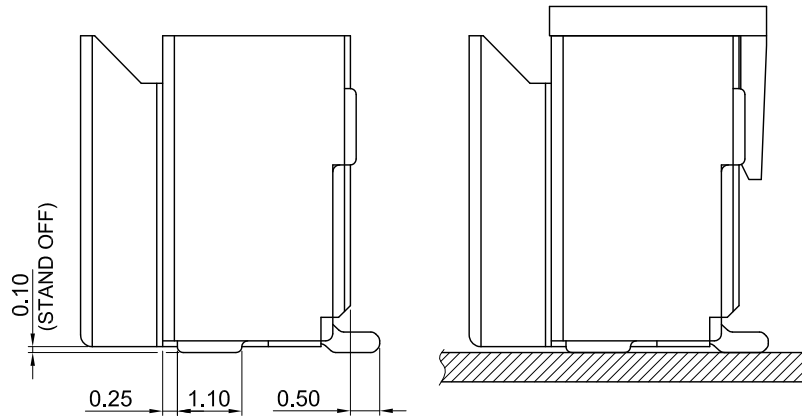
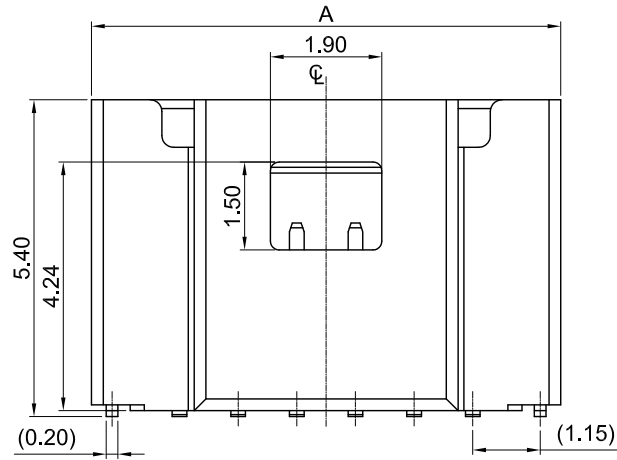
					GENERAL TOLERANCE .X ±0.35 .XX ±0.25 .XXX ±0.15 X.° ±2°				东莞市思索连接器有限公司 SWB CONNECTORS CO.,LTD				PART NO. 1004WVS-XXAHF-4TXXXEX				
					APPROVAL CHECK DRAWN DATE				TITLE 1.00mm Crimp Style Connectors								
2022.04.22	A1	/	Add dimensions	Wangcheng	Larry Yang	ROBING	ROBING	BIN	2021/04/02	UNIT	SCALE	SHEET	REV	NUMBER			
DATE	REV	ECN NO	DESCRIPTION	MODIFY	APPROVAL	ROBING	ROBING	BIN	2021/04/02	mm	8:1	1/3	A1	A-082			

RoHS

This products can apply to the SWB Doc NO. QA-3-04-005 of Environmental&Material Management Rules



PICK AND PLACE AREA WITH CAP

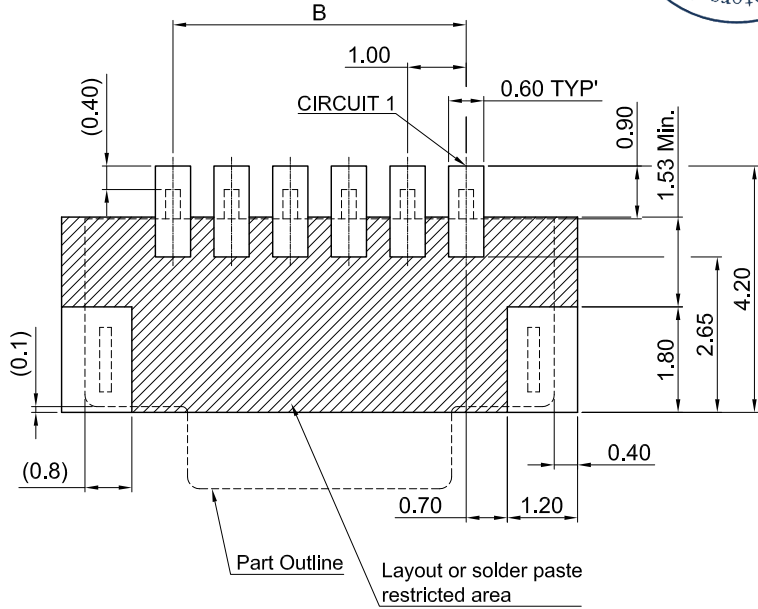


Poles	Dimensions (mm)		
	A	B	C
6	8.00	5.00	6.45
7	9.00	6.00	7.45
8	10.00	7.00	8.45
9	11.00	8.00	9.45
10	12.00	9.00	10.45
11	13.00	10.00	11.45
12	14.00	11.00	12.45
13	15.00	12.00	13.45
14	16.00	13.00	14.45
15	17.00	14.00	15.45

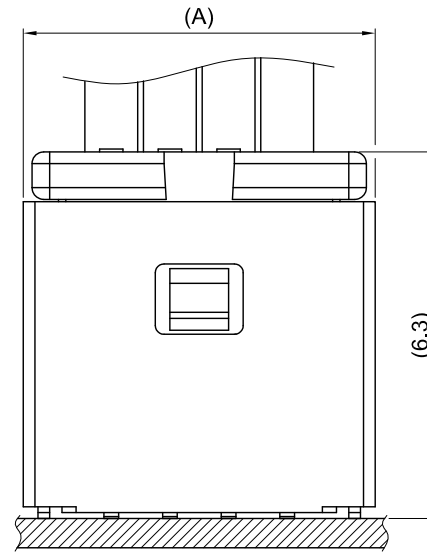
					GENERAL TOLERANCE .X ±0.35 .XX ±0.25 .XXX ±0.15 X.° ±2°				东莞市思索连接器有限公司 SWB CONNECTORS CO.,LTD				PART NO. 1004WVS-XXAHF-4TXXXEX				
2022.04.22	A1	/	Add dimensions	Wangcheng	Larry Yang	APPROVAL	CHECK	DRAWN	DATE	TITLE 1.00mm Crimp Style Connectors							
DATE	REV	ECN NO	DESCRIPTION	MODIFY	APPROVAL	ROBING	ROBING	BIN	2021/04/02	UNIT	SCALE	SHEET	REV	NUMBER			
1	2	3	4	5	6	7	8	9	10	mm	8:1	2/3	A1	A-082			

RoHS

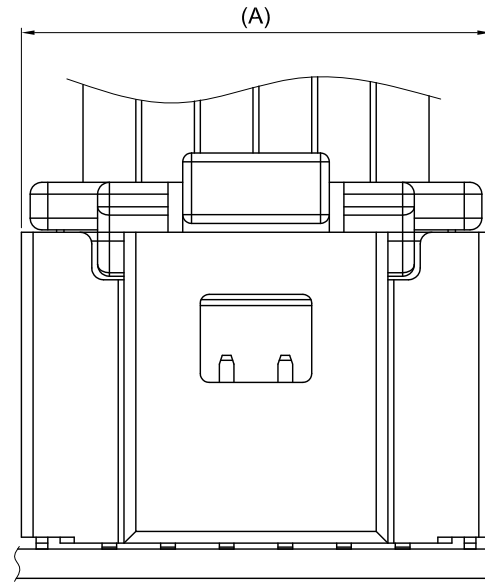
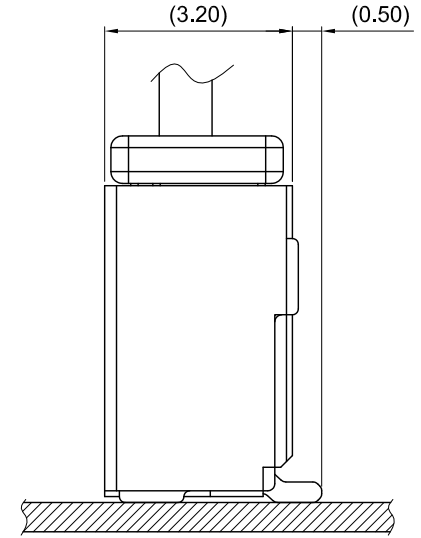
This products can apply to the SWB Doc NO. QA-3-04-005 of Environmental&Material Management Rules



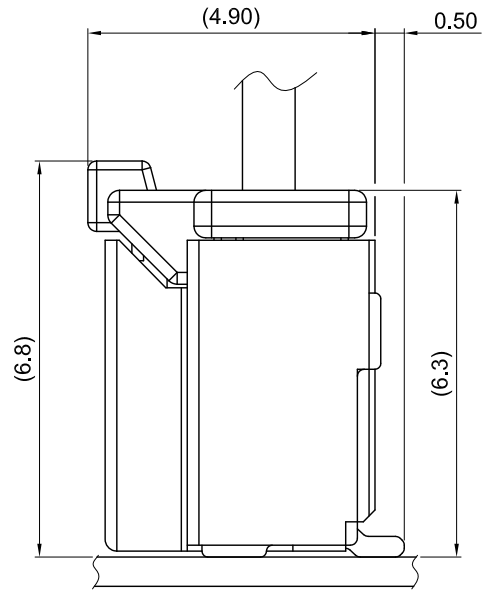
Recommended PCB Layout (General Tolerance:±0.05)



2-5 Poles



6-15 Poles

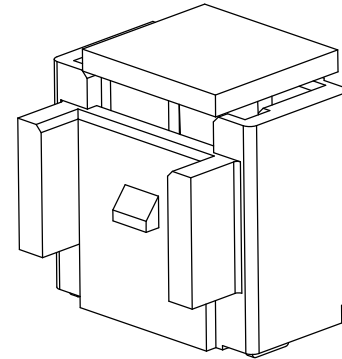
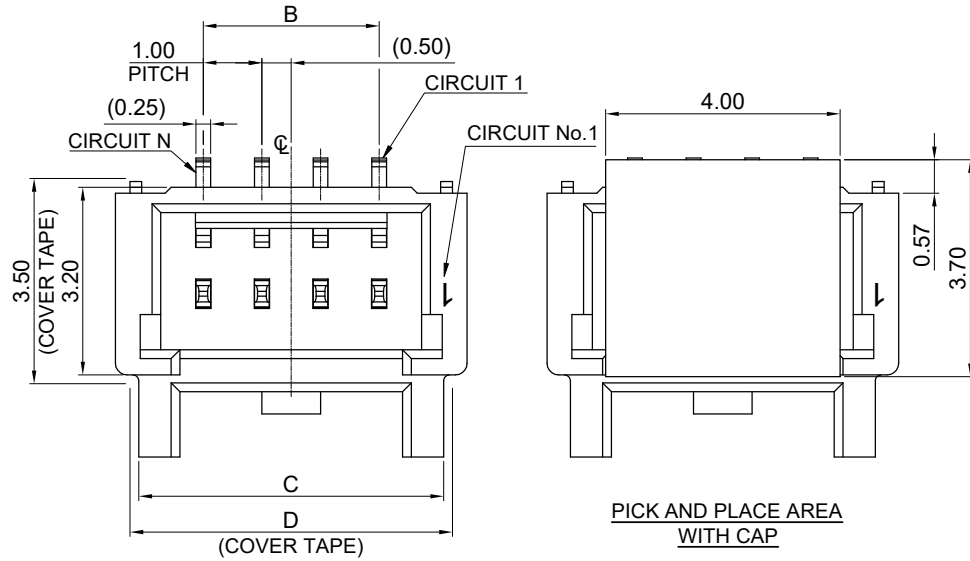


2022.04.22	A1	/	Add dimensions	Wangcheng	Larry Yang										
DATE	REV	ECN NO	DESCRIPTION	MODIFY	APPROVAL										

GENERAL TOLERANCE				 东莞市思索连接器有限公司 SWB CONNECTORS CO.,LTD				PART NO. 1004WVS-XXAHF-4TXXXEX				
.X	±0.35	.XX	±0.25					TITLE 1.00mm Crimp Style Connectors				
.XXX	±0.15	APPROVAL				CHECK	DRAWN	DATE	UNIT			
X.°	±2°	ROBING				ROBING	BIN	2021/04/02	SCALE	SHEET	REV	NUMBER
PROJECT		ROBING				ROBING	BIN	2021/04/02	8:1	3/3	A1	A-082

RoHS

This products can apply to the SWB Doc NO. QA-3-04-005 of Environmental&Material Management Rules



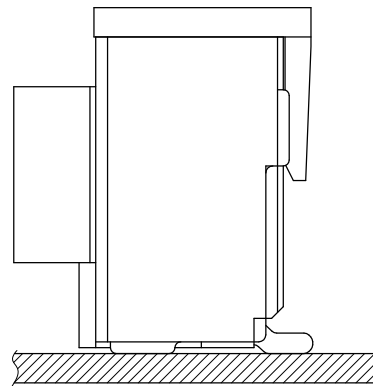
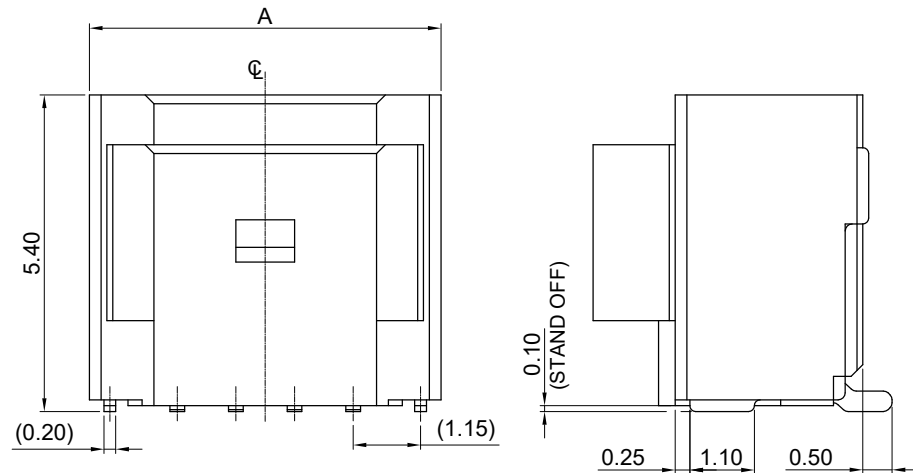
■ Specifications :

- Voltage rating: 100V AC / DC
- Current rating: 1A Max. AC / DC
- Withstanding voltage: 300V AC/minute
- Temperature range: -40°C~+105°C
- Insulation resistance: ≥100MΩ
- Contact resistance: ≤20mΩ
- After environmental testing: ≤40mΩ
- Material(Pin): Phosphor bronze
- Mates With SWB Housing: 1004H

1004 W V S - XX B HF - 4T XXX E C
 ① ② ③ ④ ⑤ ⑥ ⑦ ⑧ ⑨ ⑩ ⑪

- ① Series No.
- ② Category: W-wafer
- ③ Connector Type: V- 180°
- ④ Mounting Type: S-SMT
- ⑤ Row No.-Pin No: XX-02-15Pin
- ⑥ Special code: B-Outer Lock
- ⑦ HF-Halogen Free
- ⑧ Plastic material: 4T- PA4T UL94V-0
- ⑨ Plating Code:
 SW1-Matte Tin plating 100u" Min. overall,
 Ni50u" Min. under plating.
 V01-G/F plating overall, Ni50u" Min. under plating.
 V15-Au15u" Min. plating on contact area,
 G/F plating on solder area,
 Ni50u" Min. under plating.
 V30-Au30u" Min. plating on contact area,
 G/F plating on solder area,
 Ni50u" Min. under plating.
- ⑩ Color: E-Becky color
- ⑪ Packing: C-Carrier tape (with CAP)

Poles	Dimensions (mm)			
	A	B	C	D
3	5.00	2.00	4.20	4.50
4	6.00	3.00	5.20	5.50
5	7.00	4.00	5.20	6.50



DATE	REV	ECN NO	DESCRIPTION	MODIFY	APPROVAL
1		2	3	4	5

GENERAL TOLERANCE	
.X	±0.35
.XX	±0.25
.XXX	±0.15
X.°	±2°
PROJECT	

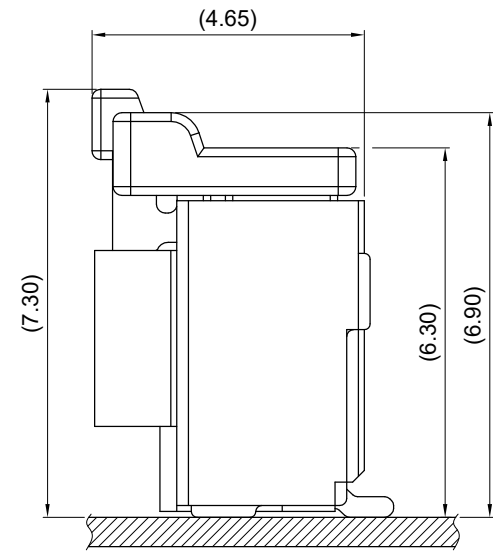
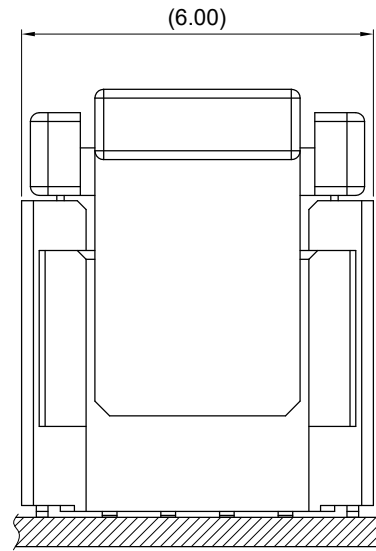
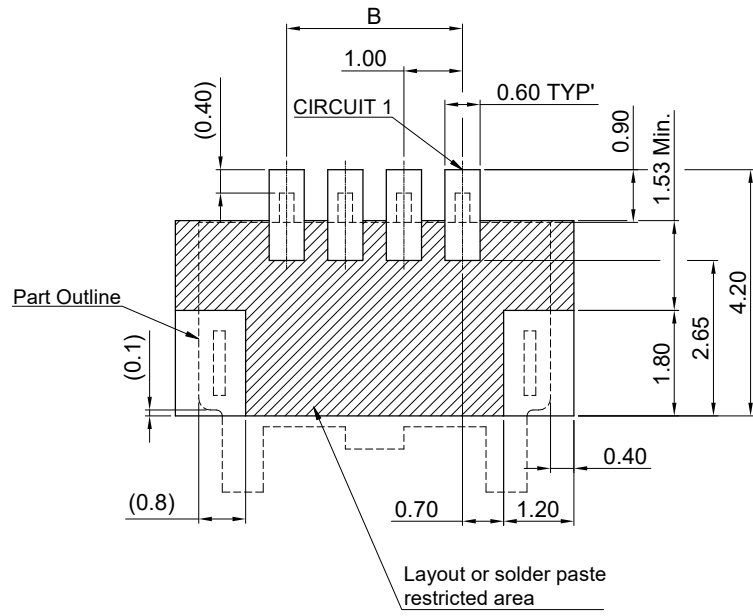
东莞市思索连接器有限公司
 SWB CONNECTORS CO.,LTD
 APPROVAL CHECK DRAWN DATE

PART NO.				
1004WVS-XXBHF-4TXXXEC				
TITLE				
1.00mm Crimp Style Connectors				
UNIT	SCALE	SHEET	REV	NUMBER
mm	8:1	1/2	A0	A-082

1 2 3 4 5 6 7 8

RoHS

This products can apply to the SWB Doc NO. QA-3-04-005 of Environmental&Material Management Rules



Recommended PCB Layout (General Tolerance:±0.05)



					<p>GENERAL TOLERANCE</p> <p>.X ±0.35</p> <p>.XX ±0.25</p> <p>.XXX ±0.15</p> <p>X° ±2°</p>				<p>东莞市思索连接器有限公司</p> <p>SWB CONNECTORS CO.,LTD</p>				<p>PART NO.</p> <p>1004WVS-XXBHF-4TXXXEC</p>				
					<p>PROJECT</p> <p>APPROVAL</p> <p>CHECK</p> <p>DRAWN</p> <p>DATE</p>								<p>TITLE</p> <p>1.00mm Crimp Style Connectors</p>				
DATE	REV	ECN NO	DESCRIPTION	MODIFY	APPROVAL					UNIT	SCALE	SHEET	REV	NUMBER			
1		2	3	4	5					mm	8:1	2/2	A0	A-082			