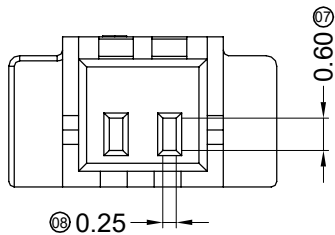
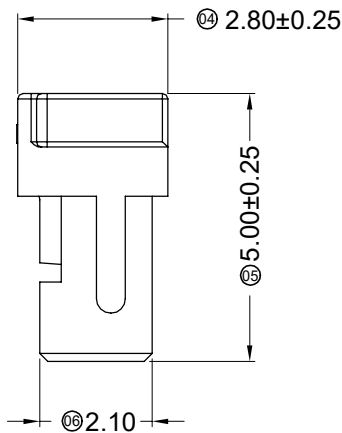
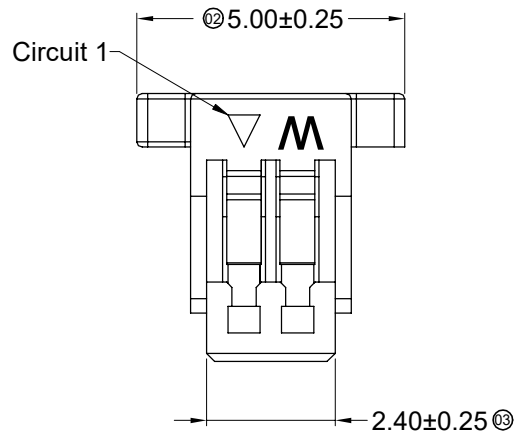
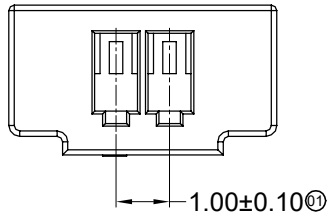


RoHS

This products can apply to the SWB Doc NO. QA-3-04-005 of Environmental&Material Management Rules



■ Specifications :

- Voltage rating: 50V AC / DC
- Current rating: 1A AC / DC
- Withstanding voltage: 500V AC/minute
- Temperature range: -25°C~+85°C
- Insulation resistance: ≥100MΩ
- Contact resistance: ≤20mΩ
- After environmental testing: ≤40mΩ
- Suitable SWB Terminal: 1002T
- Mates With SWB Wafer: 1002W

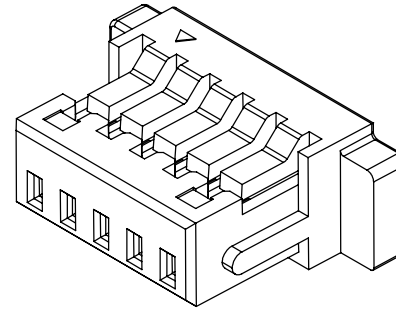
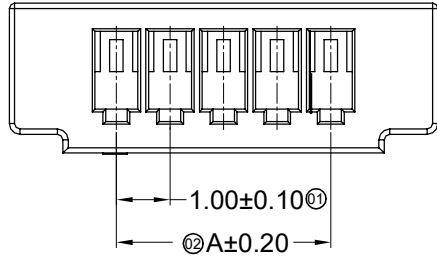
1002 H X-02 E-N0 XX XX

- ① Series No.
- ② Category: H-HSG
- ③ Welding Board Angle: Blank-ordinary
- ④ Row No.-Pin No.: 02-02P
- ⑤ Plug the Pin & special No.: E-Have ears
- ⑥ Material: N0-PA66 94V-0
- ⑦ HF- Halogen Free ; Blank- Halogen
- ⑧ Color: Blank-natural color

2020/03/14	E	EN20200314001	Update Drawing Frame	Wzbin	Robing	GENERAL TOLERANCE .X ±0.30 .XX ±0.20 .XXX ±0.10 X° ±2°	东莞市思索连接器有限公司 SWB CONNECTORS CO.,LTD	PART NO. 1002H-02E-N0HF				
2019/08/05	D	EN20190805001	Cancel the PBT material	Mandy	Robing							
2014/03/06	C		Space of a Whole page Changes	Sylvia	Joshua			APPROVAL	CHECK	DRAWN	DATE	
DATE	REV	ECN NO	DESCRIPTION	MODIFY	APPROVAL			PROJECT	Bob Sun	Jova Lau	Allen	2013/08/31

RoHS

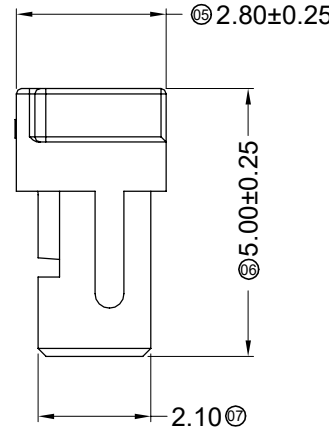
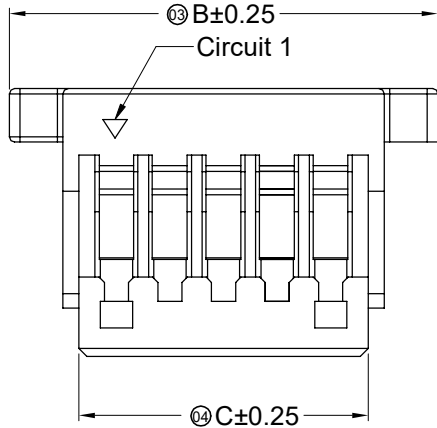
This products can apply to the SWB Doc NO. QA-3-04-005 of Environmental&Material Management Rules



Specifications :

- Voltage rating: 50V AC / DC
- Current rating: 1A AC / DC
- Withstanding voltage: 500V AC/minute
- Temperature range: -25°C~+85°C
- Insulation resistance: ≥100MΩ
- Contact resistance: ≤20mΩ
- After environmental testing: ≤40mΩ

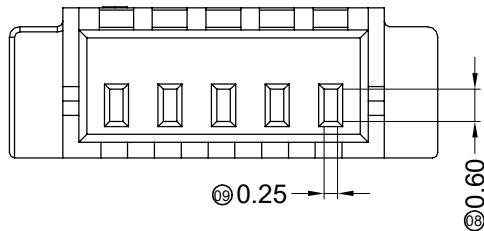
- Suitable SWB Terminal: 1002T
- Mates With SWB Wafer: 1002W



1002 H X-XX E-N0 XX XX

① ② ③ ④ ⑤ ⑥ ⑦ ⑧

- ① Series No.
- ② Category: H-HSG
- ③ Welding Board Angle: Blank-ordinary
- ④ Row No.-Pin No.: XX-02P~24P
- ⑤ Plug the Pin & special No.: E-Have ears
- ⑥ Material: N0-PA66 94V-0
- ⑦ HF- Halogen Free ; Blank- Halogen
- ⑧ Color: Blank-natural color

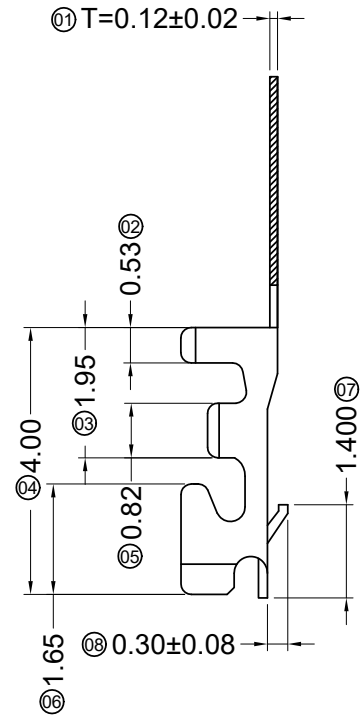
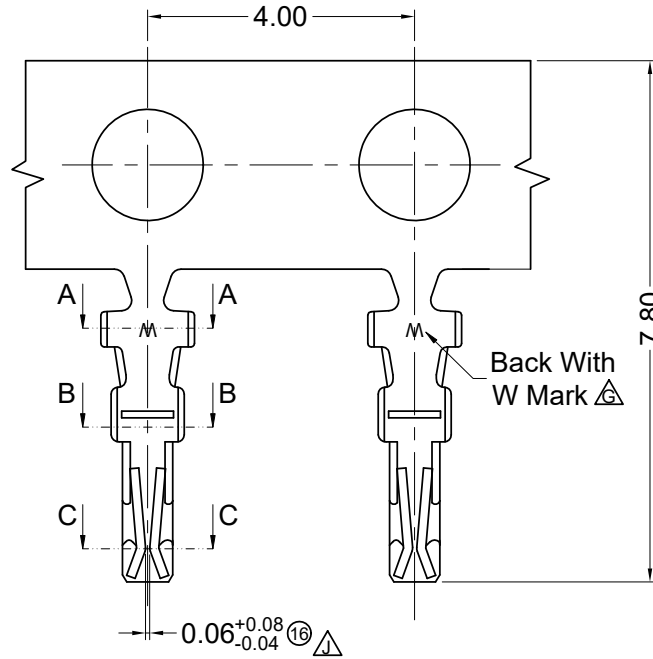


Poles	Dimensions(mm)			Poles	Dimensions(mm)		
	A	B	C		A	B	C
02	1.00	5.00	2.40	13	12.00	16.00	13.40
03	2.00	6.00	3.40	14	13.00	17.00	14.40
04	3.00	7.00	4.40	15	14.00	18.00	15.40
05	4.00	8.00	5.40	16	15.00	19.00	16.40
06	5.00	9.00	6.40	17	16.00	20.00	17.40
07	6.00	10.00	7.40	18	17.00	21.00	18.40
08	7.00	11.00	8.40	19	18.00	22.00	19.40
09	8.00	12.00	9.40	20	19.00	23.00	20.40
10	9.00	13.00	10.40	22	21.00	25.00	22.40
11	10.00	14.00	11.40	24	23.00	27.00	24.40
12	11.00	15.00	12.40				

2020/03/14	E	EN20200314001	Update Drawing Frame	Wzbin	Robing	GENERAL TOLERANCE .X ±0.30 .XX ±0.20 .XXX ±0.10 X° ±2°	东莞市思索连接器有限公司 SWB CONNECTORS CO.,LTD				PART NO. 1002H-XXE-N0HF				
2019/08/05	D	EN20190805001	Cancel the PBT material	Mandy	Robing						APPROVAL CHECK DRAWN DATE				TITLE 1.00 mm Crimp Style Commtctors
2014/03/06	C		Space of a Whole page Changes	Sylvia	Joshua		Bob Sun Jova Lau Allen 2013/08/31				UNIT SCALE SHEET REV NUMBER				
DATE	REV	ECN NO	DESCRIPTION	MODIFY	APPROVAL						mm 1:1 1/1 E A-022				

RoHS

This products can apply to the SWB Doc NO. QA-3-04-005 of Environmental&Material Management Rules

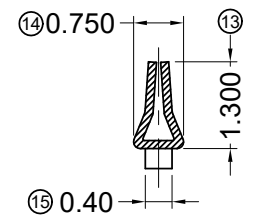


Specifications :

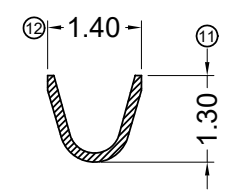
- Voltage rating: 50V AC / DC
- Current rating: 1A AC / DC
- Withstanding voltage: 500V AC/minute
- Temperature range: -25°C~+85°C
- Insulation resistance: ≥100MΩ
- Contact resistance: ≤20mΩ
- After environmental testing: ≤40mΩ

1002 T X-P XX X-X

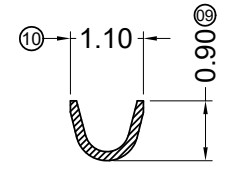
- ① ② ③ ④ ⑤ ⑥ ⑦
- ① Series Number
 - ② Category: T-terminal
 - ③ Shape: Blank-ordinary
 - ④ Material: P-Phosphor bronze
 - ⑤ Plating Code:
V**-All Gold-Plated ; *01-Gold Flash ; *03-3u"Au
SN-Bright tin plating
 - ⑥ Plating method:
Blank-Stamping before plating
B-Plating before stamping
 - ⑦ Mold No./Mark/Special No.



SECTION C-C
SCALE 1:1



SECTION A-A
SCALE 1:1



SECTION B-B
SCALE 1:1



1002T-PV03				Stamping Before Pating:30u" Ni;Whole Gold :3u" Min.	
1002T-PV01	Phosphor Bronze	AWG#28-32	0.80mm(Max)	Stamping Before Pating:30u" Ni;Whole Gold :Gold Flash	1002H
1002T-PSN				Stamping Before Pating:30u" Ni;70u"Sn	
PART NO	Material	Wire Range	Insulation O.D.	Finish	Used In SWB Housing

2021/03/01	J	EN20210301002	Change the size tolerance of the clamp	Xue	Robing
2020/03/14	H	EN20200314001	Update Drawing Frame	Wzbin	Robing
2018/10/10	G	EN20181010004	Add W mark	Joshua	Smarm
DATE	REV	ECN NO	DESCRIPTION	MODIFY	APPROVAL

GENERAL TOLERANCE	
.X	±0.30
.XX	±0.20
.XXX	±0.10
X.°	±2°
PROJECT	
⊕	⊖

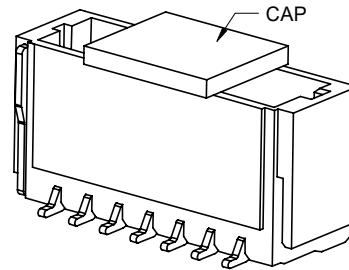
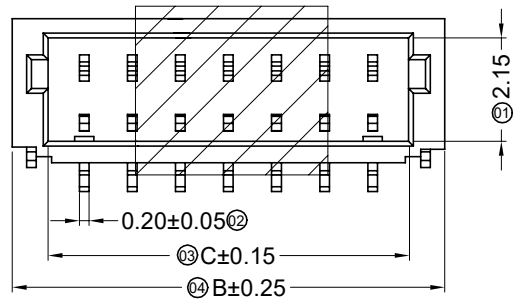
东莞市思索连接器有限公司
SWB CONNECTORS CO.,LTD

APPROVAL	CHECK	DRAWN	DATE
		Allen	2013/08/31

PART NO. 1002T-PXXX				
TITLE 1.00 mm Crimp Style Connectors				
UNIT	SCALE	SHEET	REV	NUMBER
mm	1:1	1/1	J	A-014

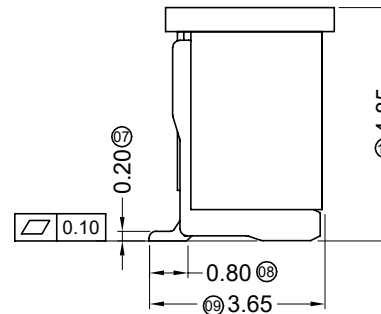
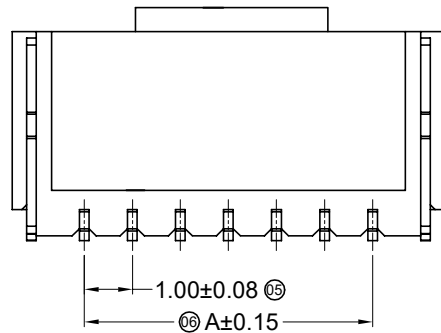
RoHS

This products can apply to the SWB Doc NO. QA-3-04-005 of Environmental&Material Management Rules



Specifications :

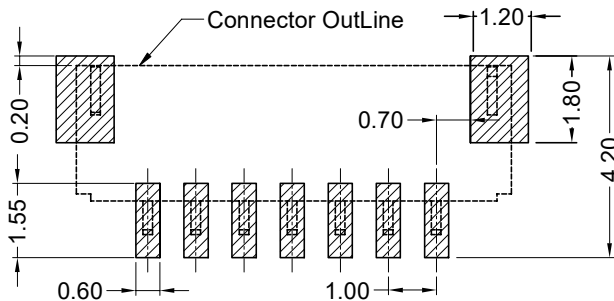
- Voltage rating: 50V AC / DC
- Current rating: 1A AC / DC
- Withstanding voltage: 500V AC/minute
- Temperature range: -25°C~+85°C
- Insulation resistance:≥100MΩ
- Contact resistance: ≤20mΩ
- After environmental testing: ≤40mΩ
- Material(Pin And Solder Tabs):Phosphor Bronze
- Finish(Solder Tabs): Matte Tin Plating
- Mates With SWB Housing:1002H-E



1002 W V S-XX E-LP XX XX

① ② ③ ④ ⑤ ⑥ ⑦ ⑧ ⑨

- ① Series No.
- ② Category: W-wafer
- ③ Connector type: V-180°
- ④ Mouting type: S-SMT
- ⑤ Row No.-Pin No per row: XX-02P~20P
- ⑥ Special No.: E-Ear clip
- ⑦ Plastic material: LP-LCP 94V-0
- ⑧ Plating Code: SW-Matte Tin plating (Tin: 70u Min)
V01-All Gold Flash
- ⑨ Color: Blank-Natural color



Recommended P.C.B Layout
General Tolerance±0.05



Poles	Dimensions(mm)			Poles	Dimensions(mm)		
	A	B	C		A	B	C
02	1.00	4.00	2.50	11	10.00	13.00	11.50
03	2.00	5.00	3.50	12	11.00	14.00	12.50
04	3.00	6.00	4.50	13	12.00	15.00	13.50
05	4.00	7.00	5.50	14	13.00	16.00	14.50
06	5.00	8.00	6.50	15	14.00	17.00	15.50
07	6.00	9.00	7.50	16	15.00	18.00	16.50
08	7.00	10.00	8.50	18	17.00	20.00	18.50
09	8.00	11.00	9.50	20	19.00	22.00	20.50
10	9.00	12.00	10.50				

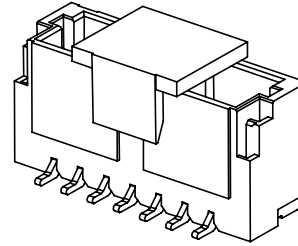
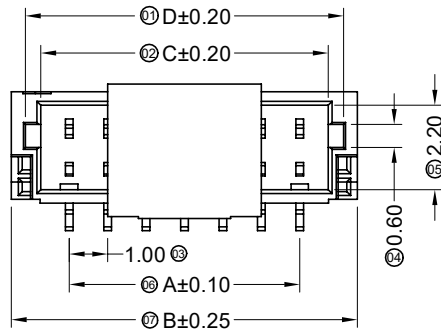
2020/03/14	F	EN20200314001	Update Drawing Frame	Wzbin	Robing	GENERAL TOLERANCE .X ±0.30 .XX ±0.20 .XXX ±0.10 X° ±2°	东莞市思索连接器有限公司 SWB CONNECTORS CO.,LTD				PART NO. 1002WVS-XXE-LPXXX					
2018/11/06	E	ER20181106003	Add Gold Flash Part No	Joshua	Smarm						APPROVAL				TITLE 1.00mm Crimp Style Connectors	
2015/07/30	D		Add 18 PIN	Wuxiaotao	Bob Sun		Bob Sun	Jova Lau	Allen	DATE	2013/08/31	UNIT	SCALE	SHEET	REV	NUMBER
DATE	REV	ECN NO	DESCRIPTION	MODIFY	APPROVAL		PROJECT					mm	1:1	1/1	F	A-084

RoHS

This products can apply to the SWB Doc NO. QA-3-04-005 of Environmental&Material Management Rules

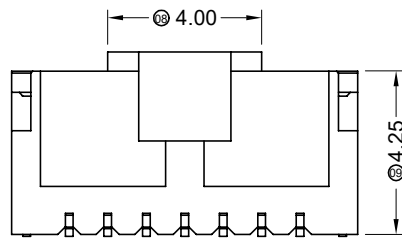


- Specifications :
- Voltage rating: 50V AC / DC
- Current rating: 1A AC / DC
- Withstanding voltage: 500V AC/minute
- Temperature range: -25°C~+85°C
- Insulation resistance: ≥100MΩ
- Contact resistance: ≤20mΩ
- After environmental testing: ≤40mΩ

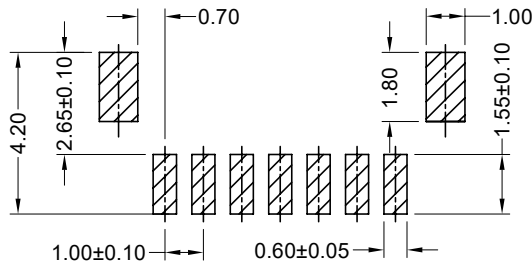
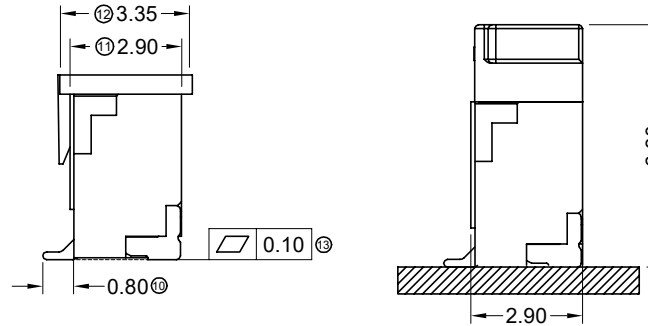


1002 W V S-XX X- XX XXX XX
① ② ③ ④ ⑤ ⑥ ⑦ ⑧ ⑨

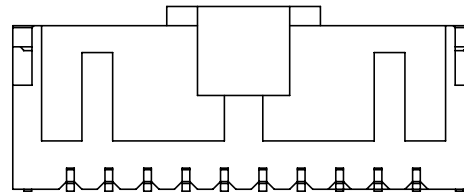
- ① Series No.
- ② Category: W-wafer
- ③ Connector type: V- Straight 180°
- ④ Mounting type: S-SMT
- ⑤ Row No.-Pin No per row: XX-02P~24P
- ⑥ Special No. C-Have CAP
HF-Halogen Free
- ⑦ Plastic Material: 4T-PA4T 94V-0;
9T-PA9T 94V-0
- ⑧ Plating Code: SW-Matte tin plating
Sn: 100u" Min ; Ni: 50u" Min.
- ⑨ Color: Blank-Natural Color



02P~09P Without Gate Location groove



Recommend PCB Layout



10P With Gate Location groove and Other Pin Without Gate Location groove

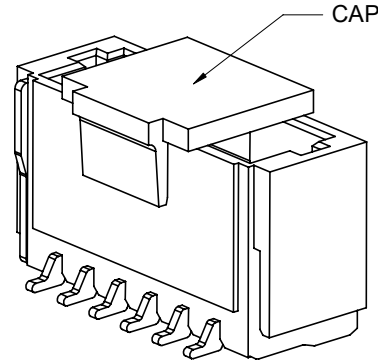
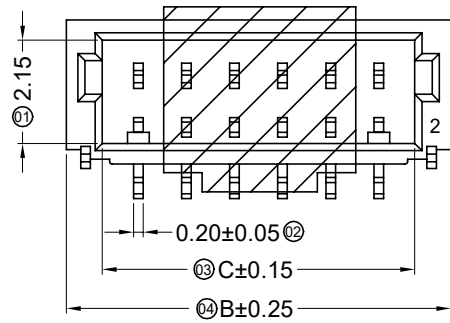
Poles	Dimensions(mm)				Poles	Dimensions(mm)			
	A	B	C	D		A	B	C	D
02	1.00	4.00	2.48	3.28	12	11.00	14.00	12.48	13.28
03	2.00	5.00	3.48	4.28	13	12.00	15.00	13.48	14.28
04	3.00	6.00	4.48	5.28	14	13.00	16.00	14.48	15.28
05	4.00	7.00	5.48	6.28	15	14.00	17.00	15.48	16.28
06	5.00	8.00	6.48	7.28	16	15.00	18.00	16.48	17.28
07	6.00	9.00	7.48	8.28	17	16.00	19.00	17.48	18.28
08	7.00	10.00	8.48	9.28	18	17.00	20.00	18.48	19.28
09	8.00	11.00	9.48	10.28	19	18.00	21.00	19.48	20.28
10	9.00	12.00	10.48	11.28	20	19.00	22.00	20.48	21.28
11	10.00	13.00	11.48	12.28	24	23.00	26.00	24.45	25.28

1002WVS-XXCHF-4TSW	Nylon 4T UL 94V-0 Halogen Free	LCP UL94V-0 Color : Black	Phosphor Bronze	Brass	Matte Tin-Plated	1002H
1002WVS-XXCHF-9TSW	Nylon 9T UL 94V-0 Halogen Free					
PART NO	Housing Material	Cap Material	PIN Material	Solder Tab Material	Finish(Pin And Solder Tabs)	Mates With SWB Housing

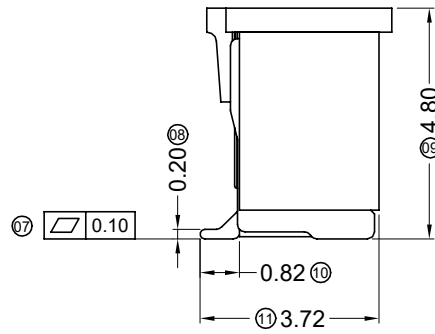
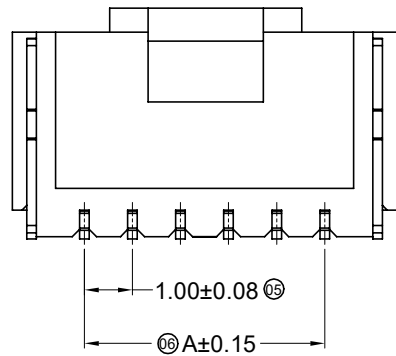
2020/03/14	F	EN20200314001	Update Drawing Frame	Wzbin	Robing	GENERAL TOLERANCE .X ±0.30 .XX ±0.20 .XXX ±0.10 X° ±2° PROJECT 	东莞市思索连接器有限公司 SWB CONNECTORS CO.,LTD				PART NO. 1002WVS-XXCHF-XTSW				
2017/05/05	E		Modify Gate Location groove	Joshua							APPROVAL CHECK DRAWN DATE				TITLE 1.00mm Crimp Style Connectors
2016/08/30	D		Modify CAP	Joshua			Smak Joshua sylvia 2016/06/22				UNIT	SCALE	SHEET	REV	NUMBER
DATE	REV	ECN NO	DESCRIPTION	MODIFY	APPROVAL						mm	1:1	1/1	F	A-000

RoHS

This products can apply to the SWB Doc NO. QA-3-04-005 of Environmental&Material Management Rules

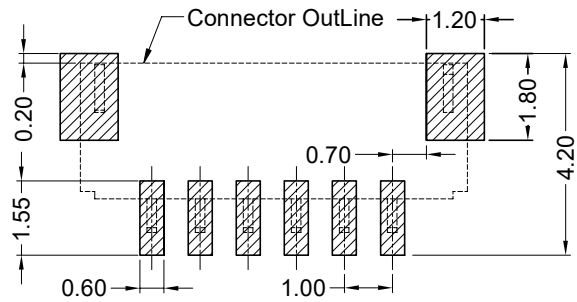


- Specifications :
- Voltage rating: 50V AC / DC
 - Current rating: 1.0A AC / DC
 - Withstanding voltage: 500V AC/minute
 - Temperature range: -25°C~+85°C
 - Insulation resistance: ≥100MΩ
 - Contact resistance: ≤20mΩ
 - After environmental testing: ≤40mΩ
 - Material (Pin):Phosphor Bronze
 - Material (Solder Tabs) : Brass
 - Mates With SWB Housing: 1002H



1002 W V S - 1xXX - XX X P XX C X 001 F
 ① ② ③ ④ ⑤ ⑥ ⑦ ⑧ ⑨ ⑩ ⑪ ⑫ ⑬

- ① Series No.
- ② Category: W-wafer
- ③ Connector type: V- Straight 180°
- ④ Mounting type: S-SMT
- ⑤ Row No.-Pin No per row: 1xXX-Single Row 1xXXPin.
- ⑥ Plastic material: 4T- PA4T LP-LCP 94V-0
- ⑦ Color : N-Natural B-Black
- ⑧ Metal material: P-Phosphor Bronze
- ⑨ Plating Code: 04-Matte Tin 10-Gold Flash
- ⑩ Packing: C-Reel With CAP
- ⑪ RoHS/HF code: H-Halogen-free R-RoHS
- ⑫ Sequence Number: 001
- ⑬ Special code: F-Other Connectors



Recommended P.C.B Layout
 General Tolerance±0.05



Poles	Dimensions(mm)			Poles	Dimensions(mm)		
	A	B	C		A	B	C
02	1.00	4.00	2.50	10	9.00	12.00	10.50
03	2.00	5.00	3.50	11	10.00	13.00	11.50
04	3.00	6.00	4.50	12	11.00	14.00	12.50
05	4.00	7.00	5.50	13	12.00	15.00	13.50
06	5.00	8.00	6.50	14	13.00	16.00	14.50
07	6.00	9.00	7.50	15	14.00	17.00	15.50
08	7.00	10.00	8.50	16	15.00	18.00	16.50
09	8.00	11.00	9.50				

DATE	REV	ECN NO	DESCRIPTION	MODIFY	APPROVAL	PROJECT
2020/03/14	C	EN20200314001	Update Drawing Frame	Wzbin	Robing	GENERAL TOLERANCE .X ±0.30 .XX ±0.20 .XXX ±0.10 X° ±2°
2018.12.18	B	EN20181218001	更改盖子结构	Smak	Alan qin	PROJECT ⊕

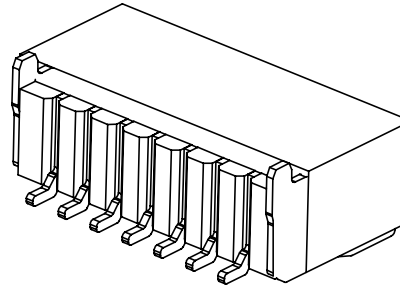
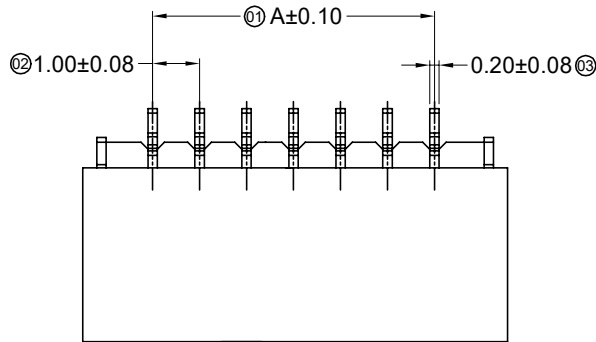


APPROVAL	CHECK	DRAWN	DATE
Smak	Joshua	Alan qin	2018/11/29

PART NO.				
1002WVS-1xXX-XXXXPXXC001F				
TITLE				
1.00mm Crimp Style Connectors				
UNIT	SCALE	SHEET	REV	NUMBER
mm	1:1	1/1	C	A-082

RoHS

This products can apply to the SWB Doc NO. QA-3-04-005 of Environmental&Material Management Rules



■ Specifications :

- Voltage rating: 50V AC / DC
- Current rating: 1A AC / DC
- Withstanding voltage: 500V AC/minute
- Temperature range: -25°C~+85°C
- Insulation resistance: ≥100MΩ
- Contact resistance: ≤20mΩ
- After environmental testing: ≤40mΩ

- Material(Pin and Solder Tabs): Phosphor Bronze
- Finish(Solder Tabs): Matte Tin Plating
- Mates With SWB Housing: 1002H-E

F

E

D

C

B

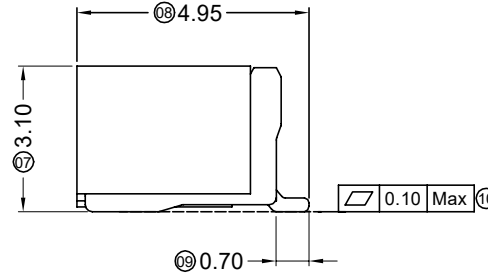
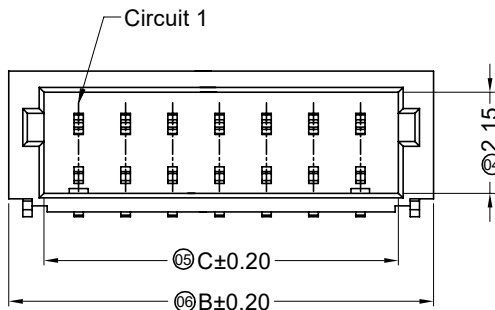
F

E

D

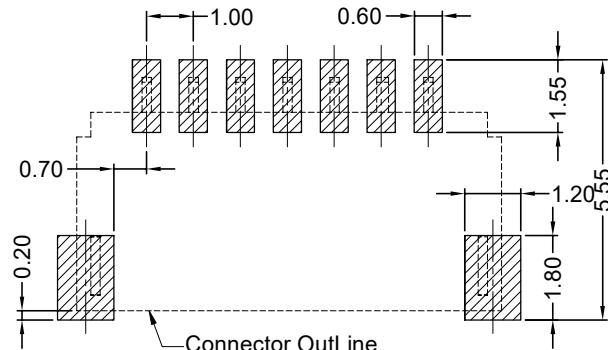
C

B



1002 W R S-XX E-LP XX XX

- ① Series No.
 ② Category: W-wafer
 ③ Connector type: R-90°
 ④ Mounting type: S-SMT
 ⑤ Row No.-Pin No per row: XX-02P~20P
 ⑥ Special No.: E-Ear clip
 ⑦ Plastic Material: LP-LCP 94V-0
 ⑧ Planting Code:
 V01-Gold Flash
 SW-Matte Tin plating
 ⑨ Color: Blank-natural color
 BK-Black



Recommended P.C.B Layout
 General Tolerance±0.05

Poles	Dimensions(mm)			Poles	Dimensions(mm)		
	A	B	C		A	B	C
02	1.00	4.00	2.50	10	9.00	12.00	10.50
03	2.00	5.00	3.50	11	10.00	13.00	11.50
04	3.00	6.00	4.50	12	11.00	14.00	12.50
05	4.00	7.00	5.50	13	12.00	15.00	13.50
06	5.00	8.00	6.50	14	13.00	16.00	14.50
07	6.00	9.00	7.50	15	14.00	17.00	15.50
08	7.00	10.00	8.50	16	15.00	18.00	16.50
09	8.00	11.00	9.50	20	19.00	22.00	20.50

A

A

2020/03/14	E	EN20200314001	Update Drawing Frame	Wzbin	Robing	东莞市思索连接器有限公司 SWB CONNECTORS CO.,LTD	PART NO.								
2015/05/05	D		Modify the drawing frame format	Sylvia	Jova Lau		1002WRS-XXE-LPXXXX								
2014/02/24	C		Add Gold Plated Part No	Jova	Jova Lau		TITLE								
							1.00 mm Crimp Style Connectors								
DATE	REV	ECN NO	DESCRIPTION	MODIFY	APPROVAL	PROJECT	APPROVAL	CHECK	DRAWN	DATE	UNIT	SCALE	SHEET	REV	NUMBER
						Kim Huang	Jova Lau	Allen	2013/08/31	mm	1:1	1/1	E	A-084	

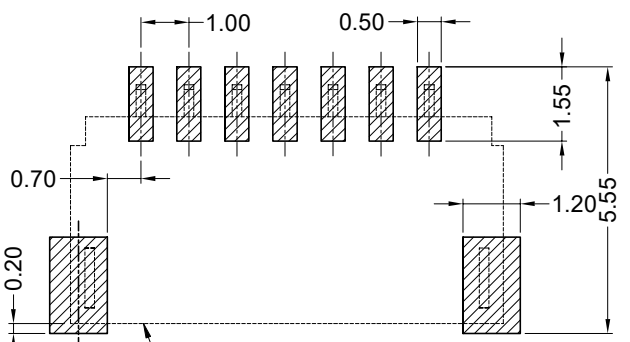
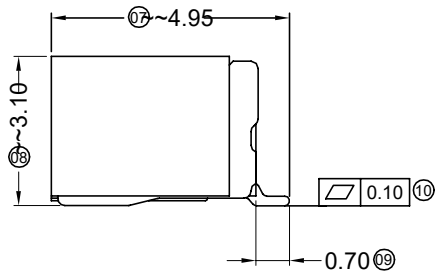
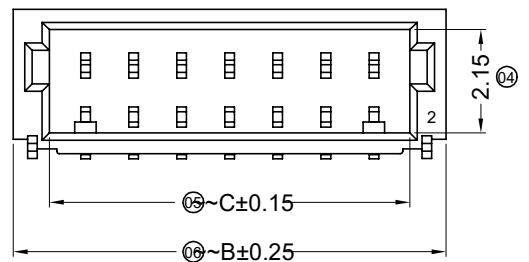
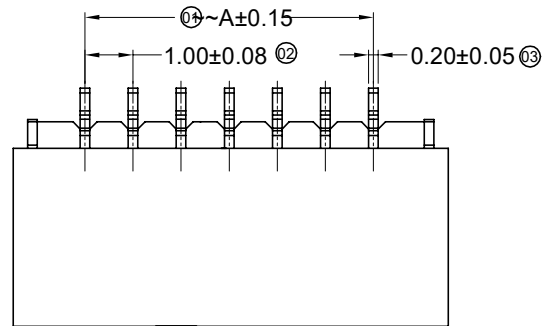
RoHS

This products can apply to the SWB Doc NO. QA-3-04-005 of Environmental&Material Management Rules

- Specifications :
 - Voltage rating: 50V AC / DC
 - Current rating: 1A AC / DC
 - Withstanding voltage: 500V AC/minute
 - Temperature range: -25°C~+85°C
 - Insulation resistance:≥100MΩ
 - Contact resistance: ≤20mΩ
 - After environmental testing: ≤40mΩ
 - Material (Pin):Phosphor Bronze
 - Material (Solder Tabs) : Brass
 - Mates With SWB Housing: 1002H

1002 W R S - 1xXX - XX X P XX R X 001 F
 ① ② ③ ④ ⑤ ⑥ ⑦ ⑧ ⑨ ⑩ ⑪ ⑫

- ① Series No.
- ② Category: W-wafer
- ③ Connector Type R- Right Angle 90°
- ④ Mouting Type: S-SMT
- ⑤ Row No.-Pin No per row: 1xXX-Single Row 1xXXPin.
- ⑥ Plastic material: 4T- PA4T LP-LCP 94V-0
- ⑦ Color : N-Natural B-Black
- ⑧ Metal material: P-Phosphor Bronze
- ⑨ Plating Code: 04-Matte Tin 10-Gold Flash
- ⑩ Packing: R-Reel
- ⑪ RoHS/HF Code: H-Halogen-free R-RoHS
- ⑫ Water code: 001
- ⑬ Special code: F-Other Connectors



Connector OutLine
 Recommended P.C.B Layout
 General Tolerance±0.05



Poles	Mating force(Kgf Max)		Poles	Mating force(Kgf Max)	
	First Insertion	30th Withdrawal		First Insertion	30th Withdrawal
02	2.0	0.32	09	4.0	0.50
03	2.0	0.35	10	4.0	0.50
04	2.0	0.35	11	5.0	0.60
05	3.0	0.40	12	5.0	0.60
06	3.0	0.40	13	5.0	0.60
07	3.0	0.40	14	6.0	0.70
08	4.0	0.50	15	6.0	0.70

Poles	Dimensions(mm)			Poles	Dimensions(mm)		
	A	B	C		A	B	C
02	1.00	4.00	2.50	10	9.00	12.00	10.50
03	2.00	5.00	3.50	11	10.00	13.00	11.50
04	3.00	6.00	4.50	12	11.00	14.00	12.50
05	4.00	7.00	5.50	13	12.00	15.00	13.50
06	5.00	8.00	6.50	14	13.00	16.00	14.50
07	6.00	9.00	7.50	15	14.00	17.00	15.50
08	7.00	10.00	8.50	16	15.00	18.00	16.50
09	8.00	11.00	9.50				

DATE	REV	ECN NO	DESCRIPTION	MODIFY	APPROVAL
2020/03/14	B	EN20200314001	Update Drawing Frame	Wzbin	Robing

GENERAL TOLERANCE	
.X	±0.30
.XX	±0.20
.XXX	±0.10
X°	±2°


东莞市思索连接器有限公司
SWB CONNECTORS CO.,LTD
 APPROVAL: Smark CHECK: Guo DRAWN: Kirin DATE: 2018/09/08

PART NO.				
1002WRS-1xXX-XXXPXXRX001F				
TITLE				
PictH 1.0mm 180° SMT Wafer				
UNIT	SCALE	SHEET	REV	NUMBER
mm	1:1	1/1	B	A-082