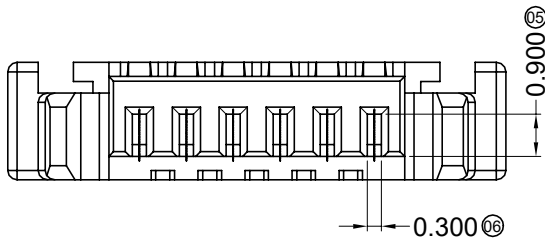
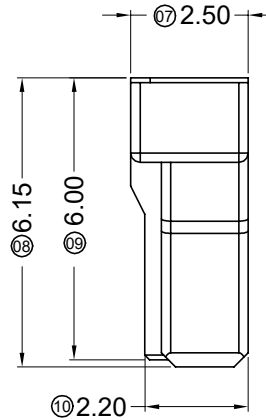
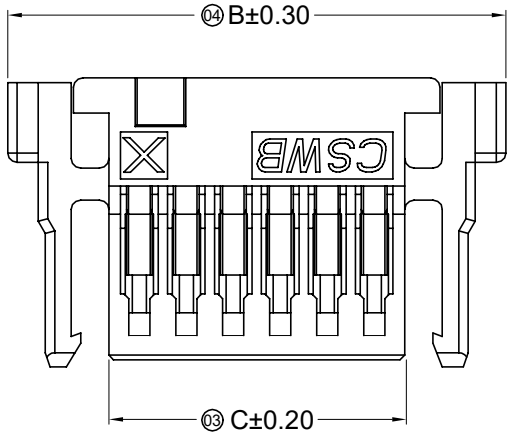
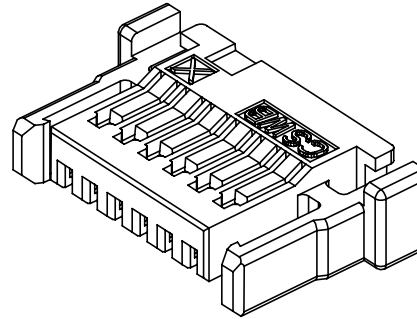
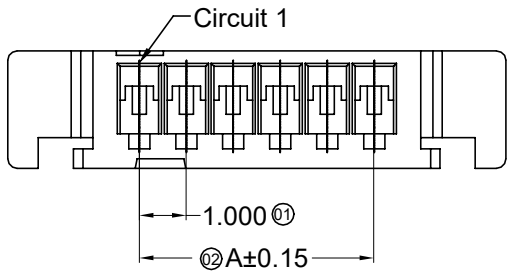


RoHS

This products can apply to the SWB Doc NO. QA-3-04-005 of Environmental&Material Management Rules



■ Specifications :

- Voltage rating: 125V AC / DC
- Current rating: 1A AC / DC
- Withstanding voltage: 500V AC/minute
- Temperature range: -25°C~+85°C
- Insulation resistance: ≥100MΩ
- Contact resistance: ≤20mΩ
- After environmental testing: ≤40mΩ
- Suitable SWB Terminal: 1002T-D
- Mates SWB Wafer: 1002W-D

1002 H -XX D -N0 HF XX

(1) (2) (3) (4) (5) (6) (7)

- (1) Series No.
- (2) Category: H-HSG
- (3) Row No.-Pin No per row: XX-02P~20P
- (4) Special No.
D-Ultra-thin buckles on both sides
- (5) Material: N0-PA66 94V-0
- (6) RoHS/HF Code: HF-Halogen Free; Blank-RoHS
- (7) Color: Blank-natural color

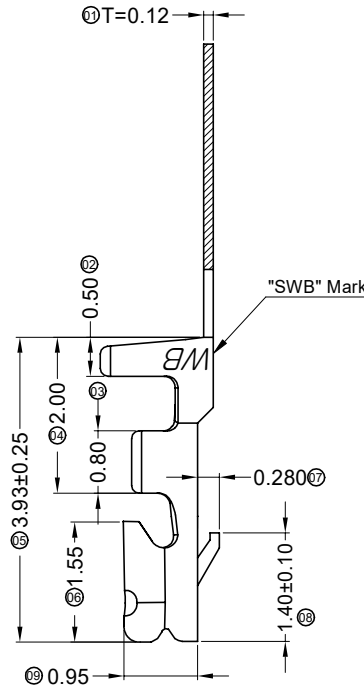
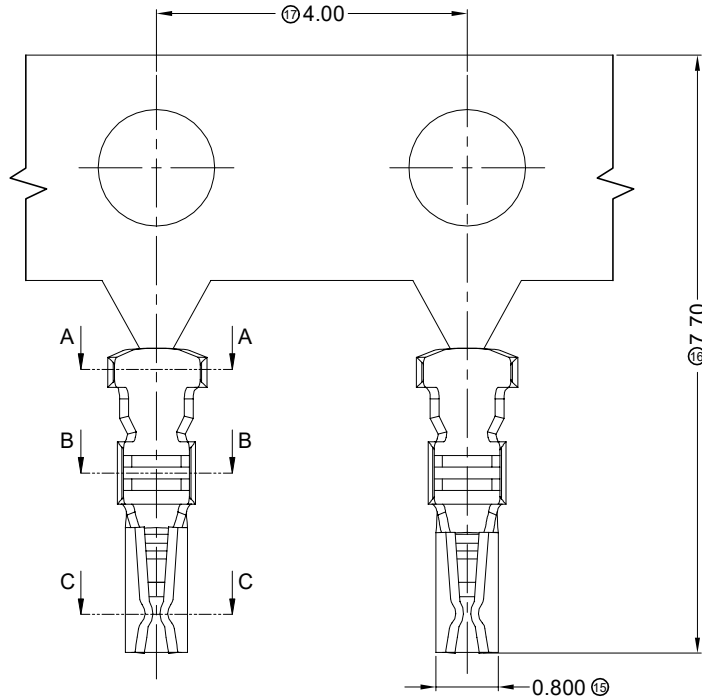


Poles	Dimensions(mm)			Poles	Dimensions(mm)		
	A	B	C		A	B	C
02	1.00	6.60	2.30	12	11.00	16.60	12.30
03	2.00	7.60	3.30	13	12.00	17.60	13.30
04	3.00	8.60	4.30	14	13.00	18.60	14.30
05	4.00	9.60	5.30	15	14.00	19.60	15.30
06	5.00	10.60	6.30	16	15.00	20.60	16.30
07	6.00	11.60	7.30	17	16.00	21.60	17.30
08	7.00	12.60	8.30	18	17.00	22.60	18.30
09	8.00	13.60	9.30	19	18.00	23.60	19.30
10	9.00	14.60	10.30	20	19.00	24.60	20.30
11	10.00	15.60	11.30				

2020/03/10	B	EN20200314001	Update Drawing Frame	Wzbin	Robing	GENERAL TOLERANCE .X ±0.30 .XX ±0.20 .XXX ±0.10 X° ±2° PROJECT 	东莞市思索连接器有限公司 SWB CONNECTORS CO.,LTD APPROVAL CHECK DRAWN DATE				PART NO. 1002H-XXD-N0HF				
2014/03/24	C		Space of a Whole page Changes	Jova Lau	Bob Sun						TITLE 1.00 mm Crimp Style Connectors				
2014/02/07	B		Space of a Whole page Changes	Sylvia	Bob Sun						UNIT SCALE SHEET REV NUMBER				
DATE	REV	ECN NO	DESCRIPTION	MODIFY	APPROVAL		Bob Sun	Jova Lau	Allen	2013/08/31		mm 1:1 1/1 A A-022			

RoHS

This products can apply to the SWB Doc NO. QA-3-04-005 of Environmental&Material Management Rules



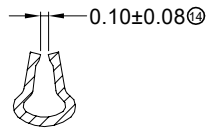
Specifications :

- Voltage rating: 125V AC / DC
- Current rating: 1A AC / DC
- Withstanding voltage: 500V AC/minute
- Temperature range: -25°C~+85°C
- Insulation resistance: ≥100MΩ
- Contact resistance: ≤20mΩ
- After environmental testing: ≤40mΩ
- Wire Range: AWG#28-32
- Insulation O.D.: 0.80mm Max
- Used In SWB Housing: 1002H-D

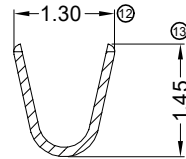
1002 T X-P XX X-D M

① ②③④ ⑤ ⑥⑦⑧

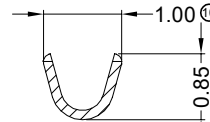
- ① Series Number
- ② Category: T-terminal
- ③ Shape: Blank-ordinary
- ④ Material: P-Phosphor bronze
- ⑤ Plating Code:
V01- All Gold Flash ; V03- All Gold-Plated 3u"
SN2 - 50u" Ni Min, 120u" Tin Min
SN - 30u" Ni Min, 70u" Tin Min
- ⑥ Plating method: Blank-Stamping before plating ;
- ⑦ D-Mating Ultra-thin buckles on both sides Wafer
- ⑧ M-With SWB Mark ; Blank- Without SWB Mark



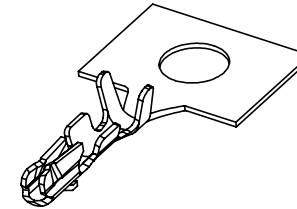
SECTION C-C
SCALE 1 : 1



SECTION A-A
SCALE 1 : 1



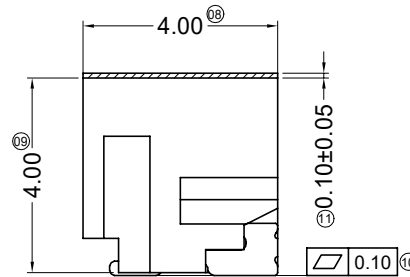
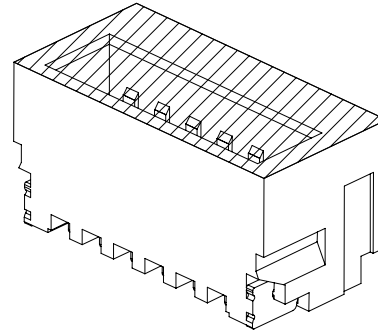
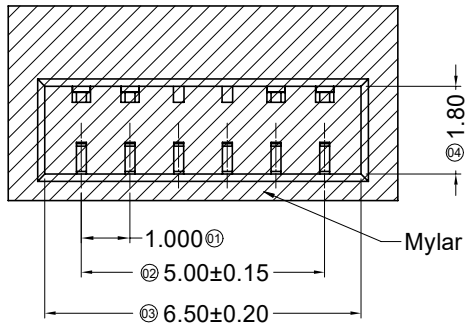
SECTION B-B
SCALE 1 : 1



2020/03/14	F	EN20200314001	Update Drawing Frame	Wzbin	Robing	GENERAL TOLERANCE .X ±0.30 .XX ±0.20 .XXX ±0.10 X° ±2° PROJECT 	东莞市思索连接器有限公司 SWB CONNECTORS CO.,LTD APPROVAL CHECK DRAWN DATE Bob Sun Jova Lau Allen Pan 2013/08/31				PART NO. 1002T-PXX-DX				
2014/03/27	E		Add SWB Mark	sylvia	Bob Sun						TITLE 1.00 mm Crimp Style Connectors				
2014/03/12	D		Space of a Whole page Changes	Jova	Bob Sun						UNIT SCALE SHEET REV NUMBER mm 1:1 1/1 F A-014				
DATE	REV	ECN NO	DESCRIPTION	MODIFY	APPROVAL										

RoHS

This products can apply to the SWB Doc NO. QA-3-04-005 of Environmental&Material Management Rules

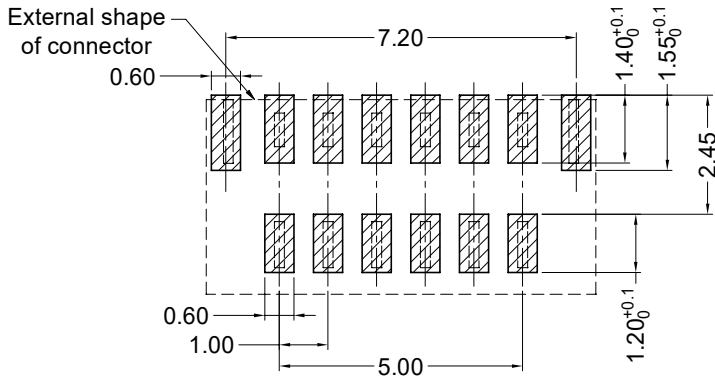


Specifications :

- Voltage rating: 125V AC / DC
- Current rating: 1A AC / DC
- Withstanding voltage: 500V AC/minute
- Temperature range: -25°C~+85°C
- Insulation resistance: ≥100MΩ
- Contact resistance: ≤20mΩ
- After environmental testing: ≤40mΩ
- Material(Pin):Phosphor Bronze
- Material(Solder Tabs):Brass
- Finish(Solder Tabs):Matte Tin plating
- Mates With SWB Housing:1002H-D

1002 W V S-06 DM-6T SW XX

① ② ③ ④ ⑤ ⑥ ⑦ ⑧ ⑨



Recommended P.C.B Layout
General Tolerance±0.05

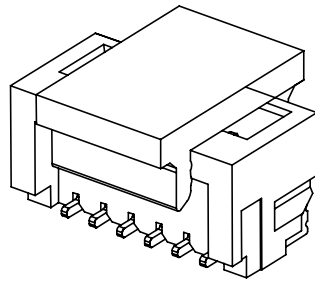
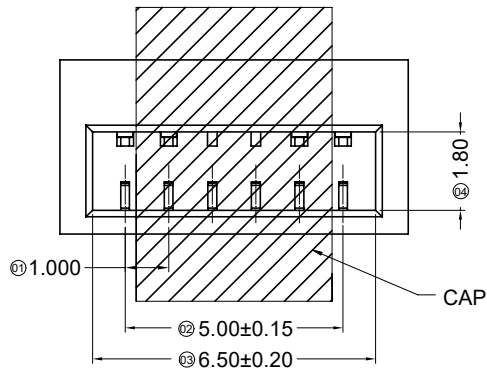


- ① Series No.
- ② Category: W-wafer
- ③ Connector type: V-Stright Angle 180°
- ④ Mouting type: S-SMT
- ⑤ Row No.-Pin No per row: 06-06P
- ⑥ Special No: DM-With Lock, With Mylar
- ⑦ Plastic Material: 6T-PA6T UL 94V-0;
- ⑧ Plating Code:
SW-Matte Tin plating 70u"Min. ;30u" Ni Min.
- ⑨ Color: Blank-Natural color

						<p>GENERAL TOLERANCE</p> <p>.X ±0.30</p> <p>.XX ±0.20</p> <p>.XXX ±0.10</p> <p>X° ±2°</p>				<p>东莞市思索连接器有限公司</p> <p>SWB CONNECTORS CO.,LTD</p>				<p>PART NO.</p> <p>1002WVVS-06DM-6TSW</p>				
						<p>APPROVAL</p> <p>CHECK</p> <p>DRAWN</p> <p>DATE</p>				<p>TITLE</p> <p>1.00mm Crimp Style Connectors</p>								
2020/03/14	B	EN20200314001	Update Drawing Frame	Wzbin	Robing	Kim.Huang	Jova Lau	Wuxiaotao	2016/03/22	UNIT	SCALE	SHEET	REV	NUMBER				
DATE	REV	ECN NO	DESCRIPTION	MODIFY	APPROVAL	PROJECT				mm	1:1	1/1	B	A-000				

RoHS

This products can apply to the SWB Doc NO. QA-3-04-005 of Environmental&Material Management Rules



■ Specifications :

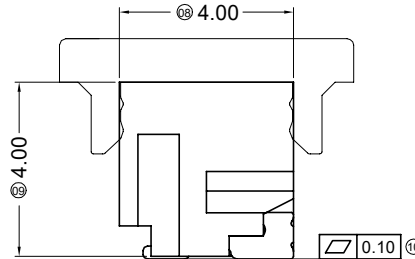
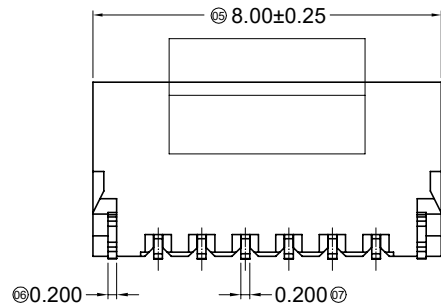
- Voltage rating: 125V AC / DC
- Current rating: 1A AC / DC
- Withstanding voltage: 500V AC/minute
- Temperature range: -25°C~+85°C
- Insulation resistance: ≥100MΩ
- Contact resistance: ≤20mΩ
- After environmental testing: ≤40mΩ
- Material(Cap):LCP UL 94V-0 \triangle_B
- Material(Pin):Phosphor Bronze
- Material(Solder Tabs):Brass
- Finish(Solder Tabs):Matte Tin plating
- Mates With SWB Housing:1002H-D

E

E

D

D



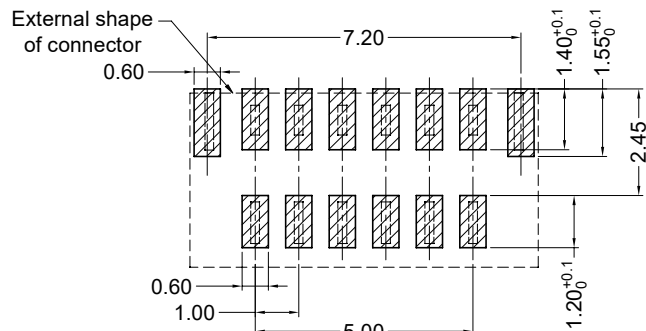
1002 W V S-06 DC-6T SW XX

① ② ③ ④ ⑤ ⑥ ⑦ ⑧ ⑨

- ① Series No.
- ② Category: W-wafer
- ③ Connector type: V-Straight Angle 180°
- ④ Mounting type: S-SMT
- ⑤ Row No.-Pin No per row: 06-06P
- ⑥ Special No: DC-With Lock and Cap
- ⑦ Plastic Material: 6T-PA6T UL 94V-0;
- ⑧ Plating Code:
SW-Matte Tin plating 70u"Min. ;30u" Ni Min.
- ⑨ Color: Blank-Natural color

C

C



Recommended P.C.B Layout
General Tolerance±0.05



B

B

					<p>GENERAL TOLERANCE</p> <p>.X ±0.30</p> <p>.XX ±0.20</p> <p>.XXX ±0.10</p> <p>X° ±2°</p> <p>PROJECT</p>				<p>东莞市思索连接器有限公司</p> <p>SWB CONNECTORS CO.,LTD</p> <p>APPROVAL CHECK DRAWN DATE</p> <p>Smark Guo Wuxiaotao 2016/04/15</p>				<p>PART NO.</p> <p>1002WVS-06DC-6TSW</p> <p>TITLE</p> <p>1.00mm Crimp Style Connectors</p>				
2020/03/14	C	EN20200314001	Update Drawing Frame	Wzbin	Robing						UNIT	SCALE	SHEET	REV	NUMBER		
17.11.30	B	ER20171130001	Add CAP material description	Savvy	Jacky						mm	1:1	1/1	C	A-000		
DATE	REV	ECN NO	DESCRIPTION	MODIFY	APPROVAL												

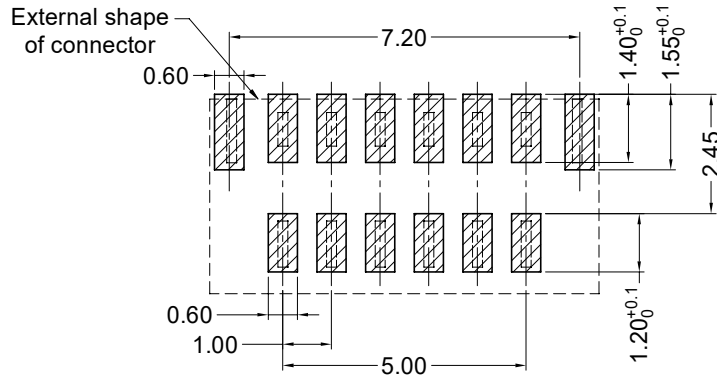
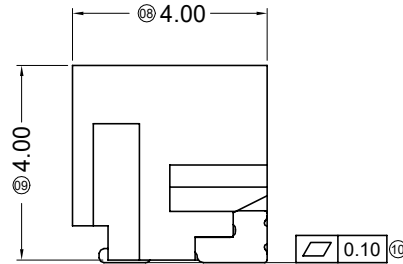
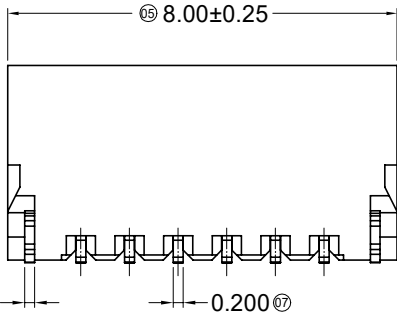
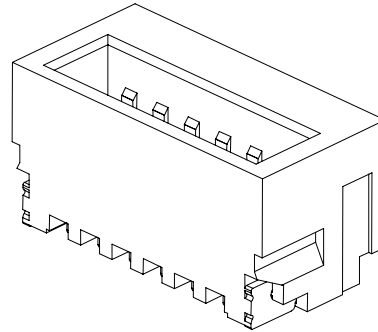
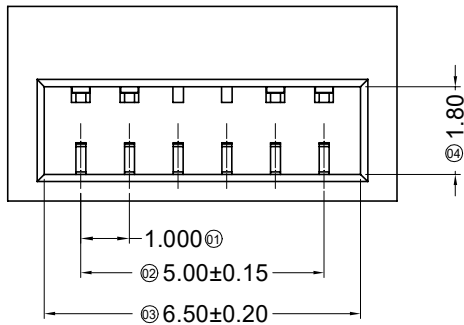
A

A

1 2 3 4 5 6 7 8

RoHS

This products can apply to the SWB Doc NO. QA-3-04-005 of Environmental&Material Management Rules



Recommended P.C.B Layout
General Tolerance±0.05

■ Specifications :

- Voltage rating: 125V AC / DC
- Current rating: 1A AC / DC
- Withstanding voltage: 500V AC/minute
- Temperature range: -25°C~+85°C
- Insulation resistance:≥100MΩ
- Contact resistance: ≤20mΩ
- After environmental testing: ≤40mΩ
- Material(Pin):Phosphor Bronze
- Material(Solder Tabs):Brass
- Finish(Solder Tabs):Matte Tin plating
- Mates With SWB Housing:1002H-D

1002 W V S-06 D-6T SW XX

① ② ③ ④ ⑤ ⑥ ⑦ ⑧ ⑨

- ① Series No.
- ② Category: W-wafer
- ③ Connector type: V-Stright Angle 180°
- ④ Mouting type: S-SMT
- ⑤ Row No.-Pin No per row: 06-06P
- ⑥ Special No: D-With Lock
- ⑦ Plastic Material: 6T-PA6T UL 94V-0;
- ⑧ Plating Code:
SW-Matte Tin plating 70u"Min. ;30u" Ni Min.
- ⑨ Color: Blank-Natural color



2020/03/14	F	EN20200314001	Update Drawing Frame	Wzbin	Robing	GENERAL TOLERANCE .X ±0.30 .XX ±0.20 .XXX ±0.10 X° ±2° PROJECT 	东莞市思索连接器有限公司 SWB CONNECTORS CO.,LTD				PART NO. 1002WVS-06D-6TSW				
2016/03/31	E		Add Min.	Wuxiaotao	Jova Lau						APPROVAL CHECK DRAWN DATE				TITLE 1.00mm Crimp Style Connectors
2016/01/20	D		Change the Part No.	Wuxiaotao	Jova Lau		Jova Lau	Jova Lau	Wuxiaotao	2014/08/12	UNIT	SCALE	SHEET	REV	NUMBER
DATE	REV	ECN NO	DESCRIPTION	MODIFY	APPROVAL		Jova Lau	Jova Lau	Wuxiaotao	2014/08/12	mm	1:1	1/1	F	A-000

