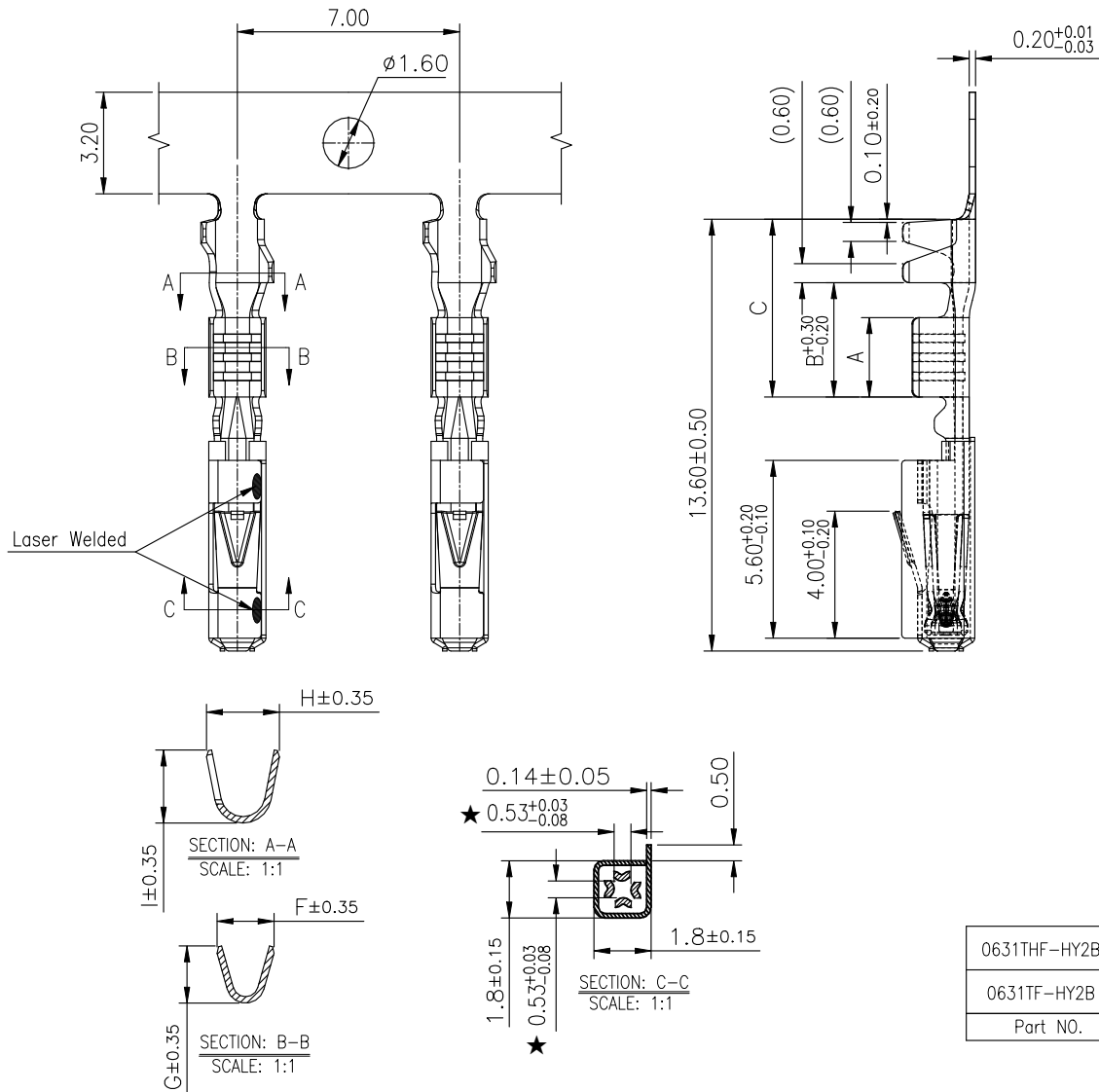


RoHS

This products can apply to the SESO Doc NO. QA-3-04-005 of Environmental&Material Management Rules



Specifications:

- Current Rating: 7.5A AC/DC (0.75mm²)
- Temperature Range: -40°C~+125°C
- Contact Resistance: $\leq 20\text{m}\Omega$
- Packaging Drawing: PK-0631TXF-HY2B
- Product Specification: PS-0631-01
- Symbols for SPC Dimensions: "★"



0631 T X F- H Y2 B
① ② ③ ④ ⑤ ⑥ ⑦

- ① Series No.
- ② Category: T-Terminal
- ③ Shape: Blank-Common Feet ; H-High Feet
- ④ Connector Type: F-Female terminal
- ⑤ Material: H-Copper Alloy
- ⑥ Plating Code:
Y2-40~120u"(1~3um) TIN
- ⑦ Plating Process: B-Stamping After Plating

0631THF-HY2B	AWG#18~20 (0.75~0.5mm ²)	1.90mm Max.	2.80	3.80	5.60	2.10	2.20	2.70	2.90
0631TF-HY2B	AWG#22~24 (0.35~0.22mm ²)	1.60mm Max.	2.50	3.60	5.60	1.80	1.80	2.30	2.30
Part NO.	Wire Range	Insulation O.D.	DIM A	DIM B	DIM C	DIM F	DIM G	DIM H	DIM I

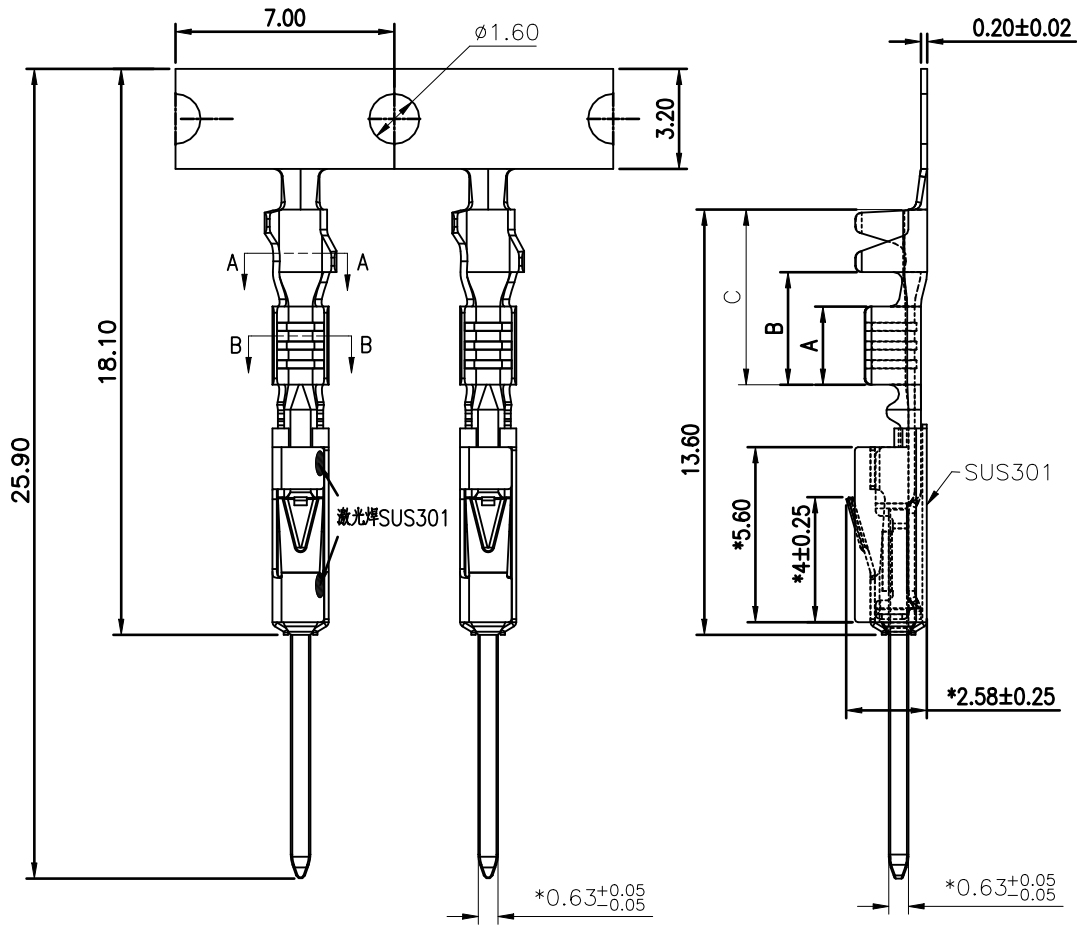
20221017	X0	/	Initial release	Jason Huang	Larry Yang
DATE	REV	ECN NO.	DESCRIPTION	MODIFY	APPROVAL

GENERAL TOLERANCE				东莞市思索技术股份有限公司 Dongguan SESO Technology Co.,Ltd.	PART NO.							
.X	±0.35				0631TXF-HY2B							
.XX	±0.25				TITLE							
.XXX	±0.15				0.63mm Female Terminal							
X.	±2'			APPROVAL	CHECK	DRAWN	DATE					
PROJECT				Jack Zhang	Larry Yang	Jason Huang	2022/10/17	UNIT	SCALE	SHEET	REV	NUMBER
								mm	1:1	1/1	X0	CD

PART NO.				
0631TXF-HY2B				
TITLE				
0.63mm Female Terminal				
UNIT	SCALE	SHEET	REV	NUMBER
mm	1:1	1/1	X0	CD

RoHS

This products can apply to the SESO Doc NO. QA-3-04-005 of Environmental&Material Management Rules



■ Specifications :

- Current rating: 7.5A Max.AC / DC
- Temperature range: $-40^{\circ}\text{C} \sim +125^{\circ}\text{C}$
- Contact resistance: $\leq 20\text{m}\Omega$ (Initial)
 $\leq 40\text{m}\Omega$ (After Testing)
- Mates With SWB Terminal: 0631T
- Product Specification: PS-0631-01
- Packaging Drawing: 0631 TXM-HXXX
- Symbols for SPC dimensions: " ★ "



0631T X M- H XX X
① ② ③ ④ ⑤ ⑥

- ① Series No.
- ② Shape: Blank-Common Feet ;
H-High Feet ; L-Low Feet
- ③ M-Male Terminal
- ④ Connector Type: H-High Conductivity Copper
- ⑤ Plating code: Y2-40~120u"(1.0~3.0um)Ni,
40~120u"(1.0~3.0um)Tin
- ⑥ Plating Process:
B-Stamping After Plating

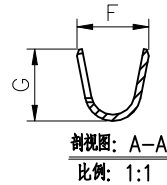
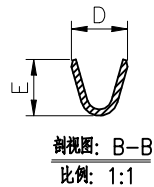
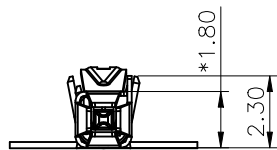


Table 1:

0631THM-HXXX	AWG#18~20 (0.75~0.5mm ²)	1.60~1.90mm	2.80	3.80	5.60	2.00	2.20	2.70	2.90
0631TM-HXXX	AWG#22~24 (0.35~0.22mm ²)	1.20~1.45mm	2.50	3.60	5.60	1.80	1.80	2.30	2.30
0631TLM-HXXX	AWG#24~26 (0.13~0.22mm ²)	1.2 Max	2.50	3.70	5.40	1.50	1.50	2.00	1.90
料号	线径	绝缘O.D.	DIM A	DIM B	DIM C	DIM D	DIM E	DIM F	DIM G

20211215	A0	/	Initial release	Jason Huang	Larry Yang
DATE	REV	ECN NO.	DESCRIPTION	MODIFY	APPROVAL

GENERAL TOLERANCE				东莞市思索技术股份有限公司 Dongguan SESO Technology Co.,Ltd.				PART NO.				
.X ±0.35								0631TXM-HXXX				
.XX ±0.25								TITLE				
.XXX ±0.15								0.63mm Male Terminal				
X' ±2'				APPROVAL	CHECK	DRAWN	DATE	UNIT				
PROJECT				Jack Zhang	Larry Yang	Jason Huang	2021/12/15	mm	SCALE	SHEET	REV	NUMBER
								1:1	1/1	A0	CD	

GENERAL TOLERANCE				东莞市思索技术股份有限公司 Dongguan SESO Technology Co.,Ltd.				PART NO.				
.X ±0.35								0631TXM-HXXX				
.XX ±0.25								TITLE				
.XXX ±0.15								0.63mm Male Terminal				
X' ±2'				APPROVAL	CHECK	DRAWN	DATE	UNIT				
PROJECT				Jack Zhang	Larry Yang	Jason Huang	2021/12/15	mm	SCALE	SHEET	REV	NUMBER
								1:1	1/1	A0	CD	