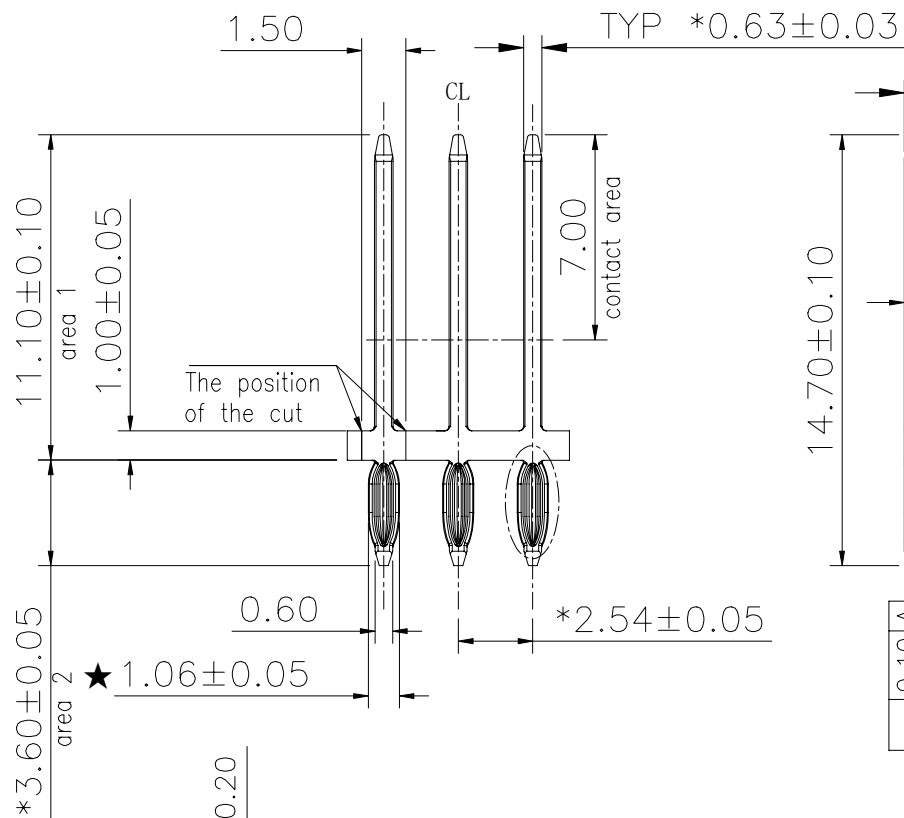


RoHS

This products can apply to the SESO Doc NO. QA-3-04-005 of Environmental&Material Management Rules

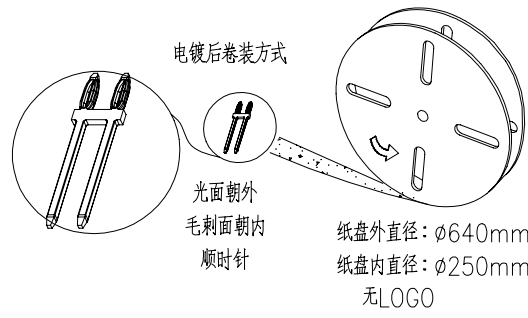


- Specifications :
- Current rating: 5A AC/DC
  - Withstanding voltage: 500V AC/minute
  - Temperature range: -40°C~+125°C
  - Insulation resistance: ≥1000MΩ
  - Contact resistance: ≤5mΩ
  - After environmental testing: ≤10mΩ
  - Material(Pin): High Conductivity Copper
  - Symbols for SPC dimensions: "★"
  - Product Specification: PS-XXXX-11
  - Packaging: 50Kpcs/REEL  
(Outer diameter of paper plate: ø640mm  
Inside diameter of paper plate: ø250mm)

063 063 - 360 \* 1110 - VQ - H SR1  
① ② ③ ④ ⑤ ⑥ ⑦

- ① Material Thickness: 063-0.63mm
- ② Special No.: 063-Width 0.63mm
- ③ Special No.: 360-length 3.60mm
- ④ Special No.: 1110-length 11.10mm
- ⑤ Connector Type: VQ-180°
- ⑥ Plastic Material: H-High Conductivity Copper
- ⑦ Plating Code:

SR1-area1 100u"MIN(2.5um)Ni,40~120u"(1~3um)Tin  
area2 100u"MIN(2.5um)Ni,20~40u"(0.5~1um)Tin



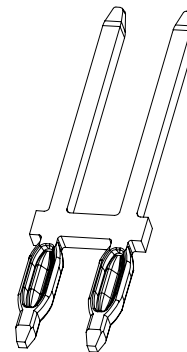
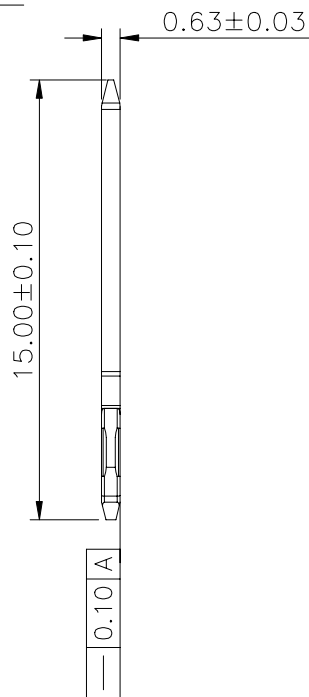
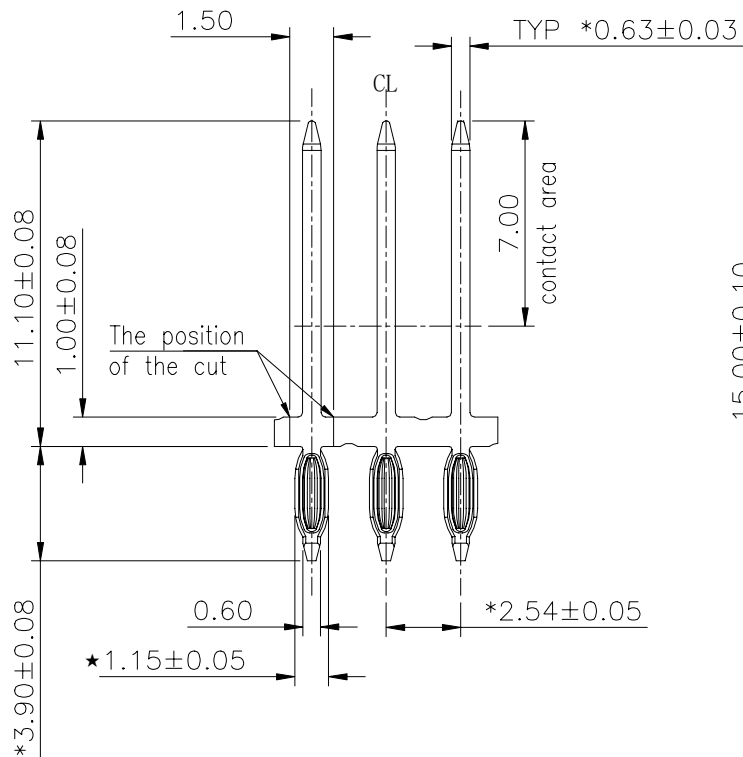
APPLICABLE P.C.B LAYOUT(REF.)  
P.C.B THICKNESS t=1.6mm

					GENERAL TOLERANCE				PART NO.				
					.X ±0.35				063063-360*1110-VQ-HSR1				
					.XX ±0.25				TITLE:				
					.XXX±0.15				6.3x6.3 PIN Header connectors				
					X.' ±2'				UNIT SCALE SHEET REV NUMBER				
					PROJECT				mm 1:1 1/1 A1 A-000				
					APPROVAL				APPROVAL CHECK DRAWN DATE				
2024.2.26					A1 /				Jack Zhang Jack Zhang Eric Xue 2023/01/31				
DATE					REV				ECN NO. DESCRIPTION MODIFY APPROVAL				
1					2				3				
4					5				6				
7					8								

**SMS** 东莞市思索技术股份有限公司  
Dongguan SESO Technology Co.,Ltd.

RoHS

This products can apply to the SESO Doc NO. QA-3-04-005 of Environmental&Material Management Rules



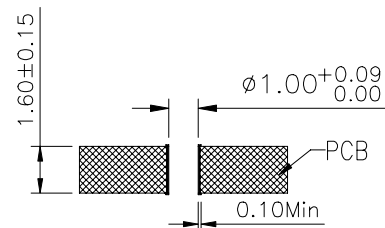
Preliminary drawing  
This is subject to change without notice

Specifications :

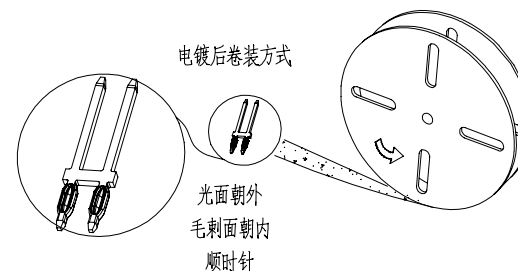
- Current rating: 5A AC/DC
- Withstanding voltage: 500V AC/minute
- Temperature range: -40°C~+125°C
- Insulation resistance: ≥1000MΩ
- Contact resistance: ≤0.5mΩ
- After environmental testing: ≤10mΩ
- Material(Pin): High Conductivity Copper
- Symbols for SPC dimensions: "★"
- Product Specification: PS-XXXX-11
- Packaging: see SESO drawing PK-XXXX

063 063 - 390 \* 1110 - VQ - H SR1  
① ② ③ ④ ⑤ ⑥ ⑦

- ① Material Thickness: 063-0.63mm
- ② Special No.: 063-Width 0.63mm
- ③ Special No.: 390-length3.90mm
- ④ Special No.: 1110-length 11.10mm
- ⑤ Connector Type: VQ-180°
- ⑥ Material: H-High Conductivity Copper
- ⑦ Plating Code: SR1-100u"MIN(2.5um)Ni,40~120u"(1~3um)Tin



APPLICABLE P.C.B LAYOUT(REF.)  
P.C.B THICKNESS t=1.6mm



						GENERAL TOLERANCE				PART NO. 063063-390*1110-VQ-HSR1				
						.X ±0.35				TITLE: 6.3x6.3 PIN Header connectors				
						.XX ±0.25				UNIT SCALE SHEET REV NUMBER				
						.XXX±0.15				mm 1:1 1/1 AO A-000				
						X.' ±2'				APPROVAL CHECK DRAWN DATE				
						PROJECT				Jack Zhang Jack Zhang Eric Xue 2023/01/31				
						APPROVAL								
20230215	A0	/	Update drawing	Aump chua	Jack Zhang									
DATE	REV	ECN NO.	DESCRIPTION	MODIFY	APPROVAL									

**SMS** 东莞市思索技术股份有限公司  
Dongguan SESO Technology Co.,Ltd.