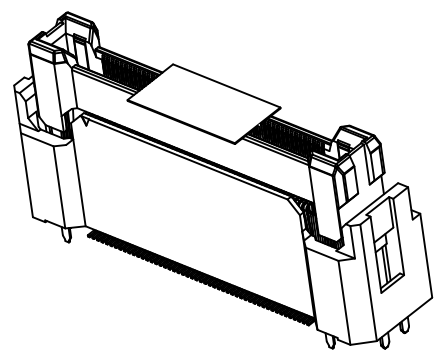
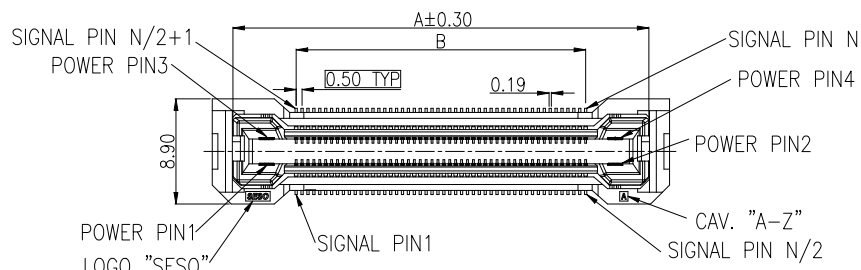
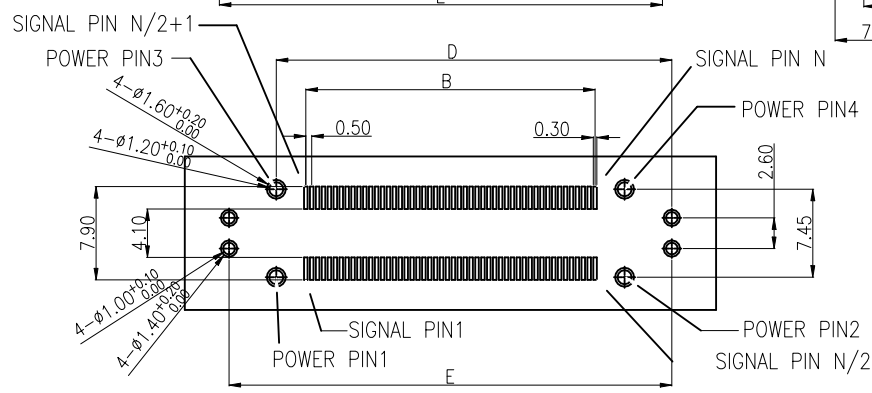
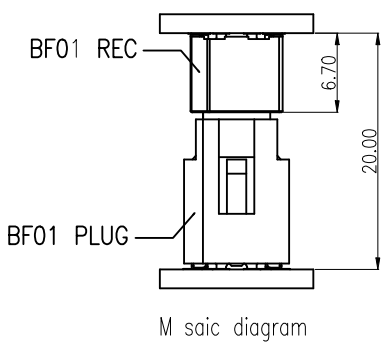
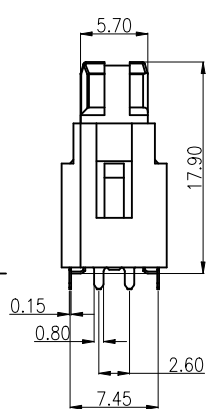
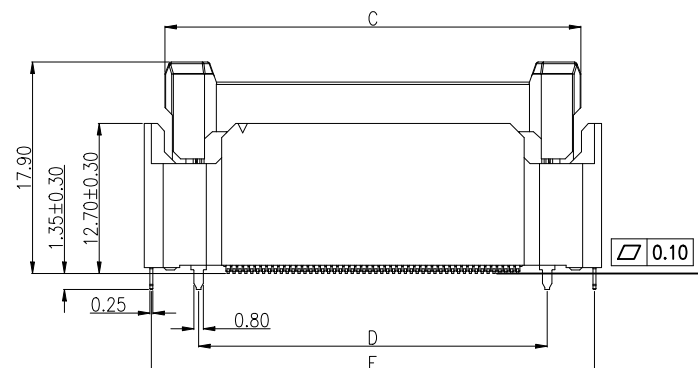


RoHS

This products can apply to the SESO Doc NO. QA-3-04-005 of Environmental&Material Management Rules



- Specifications :
  - Voltage rating: Signal part AC 50V AC/DC  
Power part AC 200V AC/DC
  - Current rating: Signal part 0.5A AC/DC  
Power part 3.0A AC/DC
  - Withstanding voltage: Signal 150V AC/minute  
Power 600V AC/minute
  - Temperature range: -55°C~+105°C
  - Insulation resistance: Signal≥100MΩ  
Power≥1000MΩ
  - Contact resistance: Signal<70mΩ  
Power<20mΩ
  - After environmental testing: Signal<80mΩ  
Power≤30mΩ
  - Material(Pin): Copper alloy
  - Product Specification: PS-0534-01
  - Packaging: see SESO drawing PK-XXXX



RECOMMENDED PCB LAYOUT  
PCB THICKNESS:t=1.6mm(Annotation:N=Pin No)



0534 W-H XXX 02-05 H 01  
① ② ③ ④ ⑤ ⑥ ⑦ ⑧

- ① Series No.:0534
- ② Category:W-Wafer
- ③ Connector Type:H-Double row180° SMT
- ④ Row No.-Pin No.:XXX-Double Row Pin
- ⑤ Plastic Material:02-PA9T (UL94V-0)
- ⑥ Plating Code:05-  
Contact area:4u"(0.1um) Min  
Top Plating:80~200u"(2.0~5.0um)  
Underplate:Ni 50~200u"(1.25~5.0um)
- ⑦ Special code:F-Halogen Free
- ⑧ Sequence Number:01

No. OF POS.	A	B	C	D	E
120	43.70	29.50	40.20	34.50	42.50
100	38.70	24.50	35.20	29.50	37.50

DATE	REV	ECN NO.	DESCRIPTION	MODIFY	APPROVAL
20240314	X1	/	Update Drawing	Zee.Wang	Jack Zhang
20231206	X0	/	Initial release	Zee.Wang	Jack Zhang

GENERAL TOLERANCE  
 .X ±0.35  
 .XX ±0.25  
 .XXX±0.15  
 X: ±2'  
 PROJECT

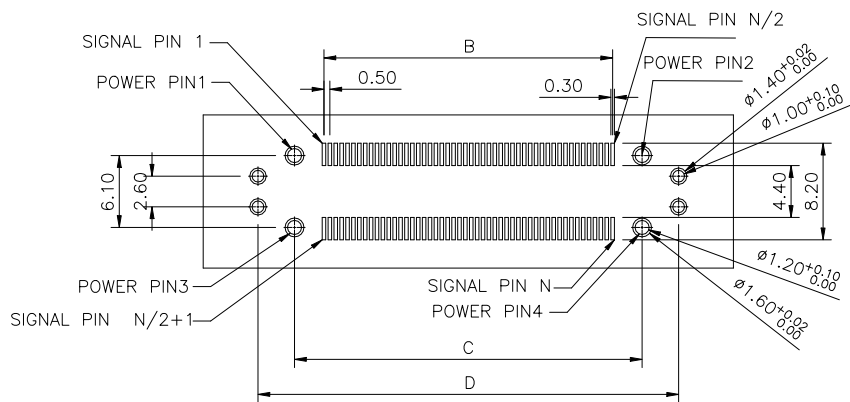
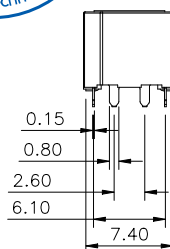
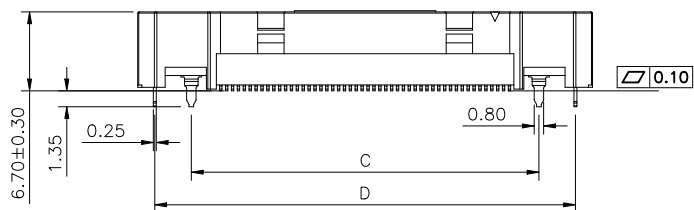
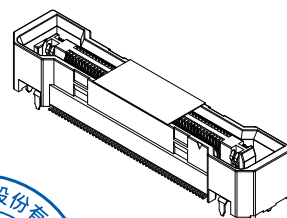
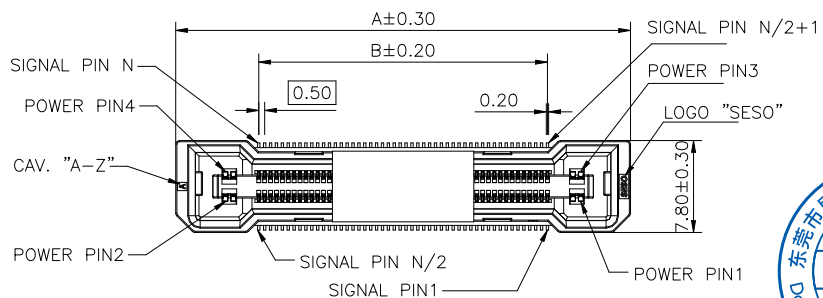
**SMS** 东莞市思索技术有限公司  
Dongguan SESO Technology Co.,Ltd.

APPROVAL: Jack Zhang  
 CHECK: Larry Yang  
 DRAWN: Zee.Wang  
 DATE: 2023/12/06

PART NO. 0534W-HXXX02-05F00				
TITLE 0.50mm PITCH BTB SMT				
UNIT	SCALE	SHEET	REV	NUMBER
mm	1:1	1/1	X1	CD

RoHS

This products can apply to the SESO Doc NO. QA-3-04-005 of Environmental&Material Management Rules



RECOMMENDED PCB LAYOUT  
PCB THICKNESS:t=1.6mm (Annotation:N=Pin No)

Specifications :

- Voltage rating: Signal part AC 50V AC/DC  
Power part AC 200V AC/DC
- Current rating: Signal part 0.5A AC/DC  
Power part 3.0A AC/DC
- Withstanding voltage: Signal 150V AC/minute  
Power 600V AC/minute
- Temperature range: -55°C~+105°C
- Insulation resistance: Signal>100MΩ  
Power≥1000MΩ
- Contact resistance: Signal<70mΩ  
Power<20mΩ
- After environmental testing: Signal<80mΩ  
Power≤30mΩ
- Material(Pin): Copper alloy
- Product Specification: PS-0534-01
- Packaging: see SESO drawing PK-XXXX

0534 W-H XXX 04-05 F 00  
① ② ③ ④ ⑤ ⑥ ⑦ ⑧

- ① Series No.:0534
- ② Category:W-Wafer
- ③ Connector Type:H-Double row180° SMT
- ④ Row No.-Pin No.:XXX-Double Row Pin
- ⑤ Plastic Material:04-LCP (UL94V-0)
- ⑥ Plating Code:05-  
Contact area:4u"(0.1um) Min  
Top Plating:80~200u"(2.0~5.0um)  
Underplate:Ni 50~200u"(1.25~5.0um) overall
- ⑦ Special code:F-Halogen Free
- ⑧ Sequence Number:00

No. of POS.	A	B	C	D
120	43.60	29.50	34.50	40.70
100	38.60	24.50	29.50	35.70

20240314	X1	/	Update Drawing	Zee.Wang	Jack Zhang
20231206	X0	/	Initial release	Zee.Wang	Jack Zhang
DATE	REV	ECN NO.	DESCRIPTION	MODIFY	APPROVAL

GENERAL TOLERANCE			
.X	±0.35		
.XX	±0.25		
.XXX	±0.15		
X:	±2'		
PROJECT		APPROVAL	CHECK
		Jack Zhang	Larry Yang
		DRAWN	DATE
		Zee.Wang	2023/12/06

**SMS** 东莞市思索技术有限公司  
Dongguan SESO Technology Co.,Ltd.

PART NO.				
0534W-HXXX04-05F00				
TITLE				
0.50mm PITCH BTB SMT				
UNIT	SCALE	SHEET	REV	NUMBER
mm	1:1	1/1	X1	CD